

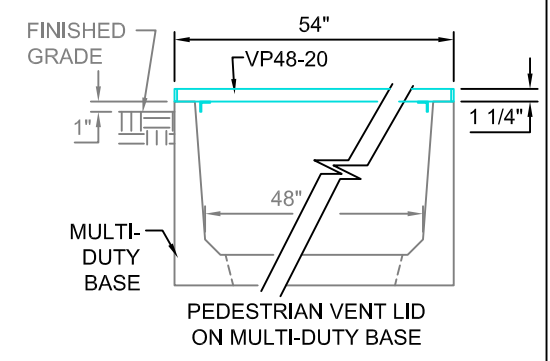
54"

4"

5/16" DIA. CROSS ROD

1 3/16"

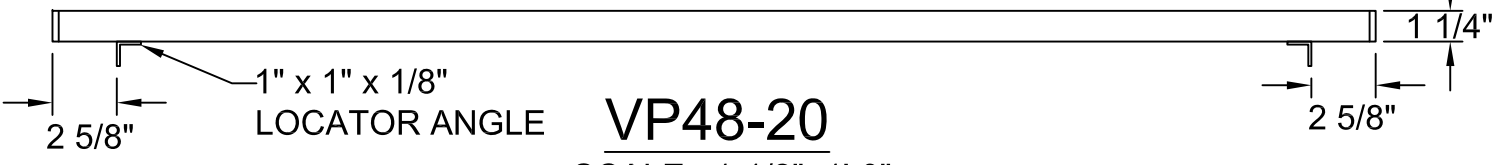
19 3/16"



19W4-1 1/4" x 3/16" STEEL GRATING HOT DIPPED GALVANIZED

1 1/4" x 3/16" BEARING BAR

1/4" THICK BANDING EACH SIDE



VP48-20
 SCALE : 1-1/2"=1'-0"
 WEIGHT: 70#
PEDESTRIAN RATED

Trenwa Inc.	
1419 ALEXANDRIA PIKE	FORT THOMAS, KY 41075 859-781-0831
PEDESTRIAN VENT LID & SECTION FOR 48" WIDE MULTI-DUTY TRENCH	
Date: 3/21/17	Dwg. No. VP48-20