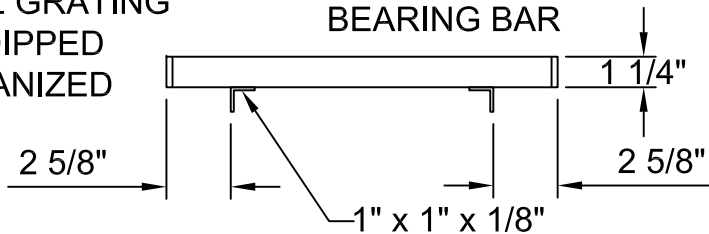


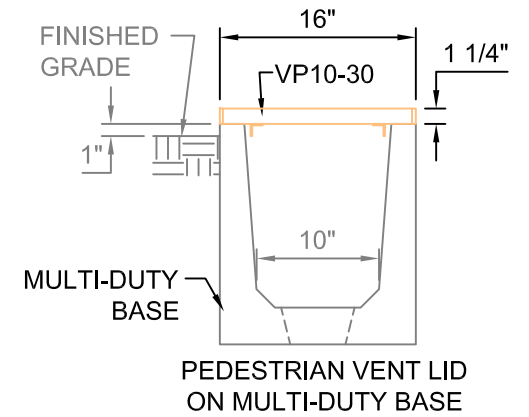
19W4-1 1/4" x 3/16"  
STEEL GRATING  
HOT DIPPED  
GALVANIZED

1 1/4" x 3/16"  
BEARING BAR



LOCATOR ANGLE

**VP10-30**  
SCALE : 1-1/2"=1'-0"  
WEIGHT: 32#  
**PEDESTRIAN RATED**



**Trenwa Inc.**

1419 ALEXANDRIA PIKE FORT THOMAS, KY 41075 859-781-0831

PEDESTRIAN VENT LID & SECTION FOR  
10" WIDE MULTI-DUTY TRENCH

Date:  
3/15/17

Dwg. No.  
VP10-30