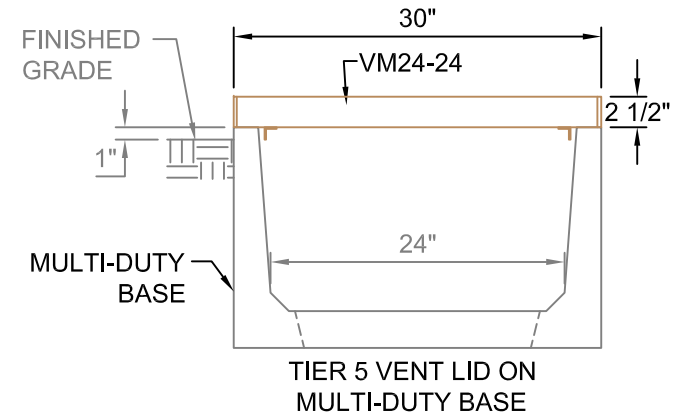
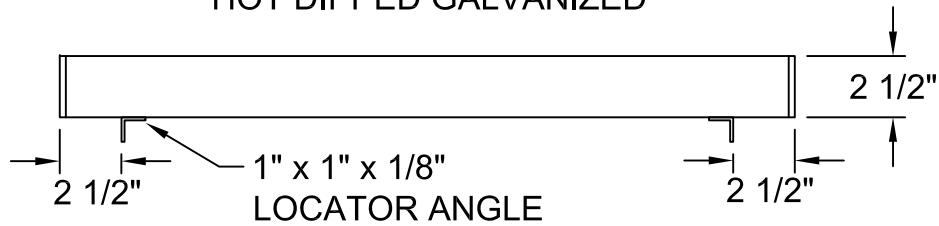


19W4-2 1/2" x 1/4"  
STEEL GRATING  
HOT DIPPED GALVANIZED

2 1/2" x 1/4"  
BEARING BAR



**VM24-24**

SCALE: 1 1/2"=1'-0"

WEIGHT: 120#

**TIER 5 RATED**

**Trenwa Inc.**

1419 ALEXANDRIA PIKE FORT THOMAS, KY 41075 859-781-0831

TIER 5 VENT LID & SECTION FOR  
24" WIDE MULTI-DUTY TRENCH

Date:  
3/15/17

Dwg. No.  
VM24-24