

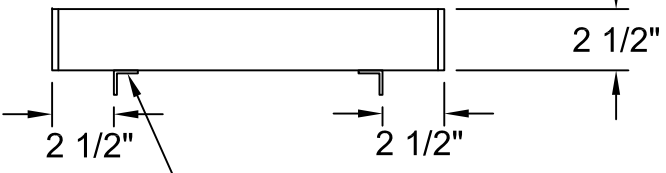
19W4-2 1/2" x 1/4"
STEEL GRATING
HOT DIPPED
GALVANIZED

1 3/16"

1/4" THICK
BANDING
EACH SIDE

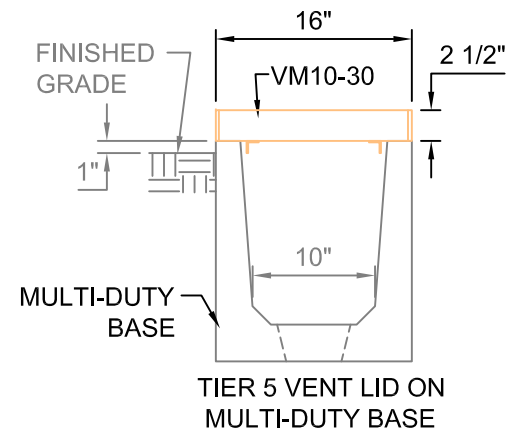
29 15/16"

2 1/2" x 1/4"
BEARING BAR



1" x 1" x 1/8" LOCATOR ANGLE

VM10-30
SCALE: 1 1/2"=1'-0"
WEIGHT: 80#
TIER 5 RATED



FINISHED
GRADE

16"
VM10-30
2 1/2"

MULTI-DUTY
BASE

10"

TIER 5 VENT LID ON
MULTI-DUTY BASE

Trenwa Inc.	
1419 ALEXANDRIA PIKE FORT THOMAS, KY 41075 859-781-0831	
TIER 5 VENT LID & SECTION FOR 10" WIDE MULTI-DUTY TRENCH	
Date: 3/15/17	Dwg. No. VM10-30