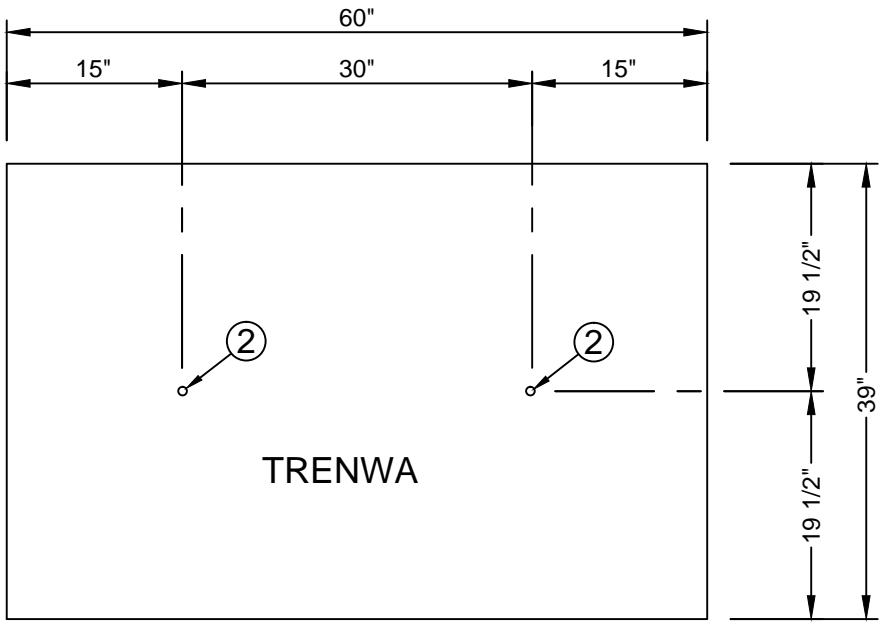
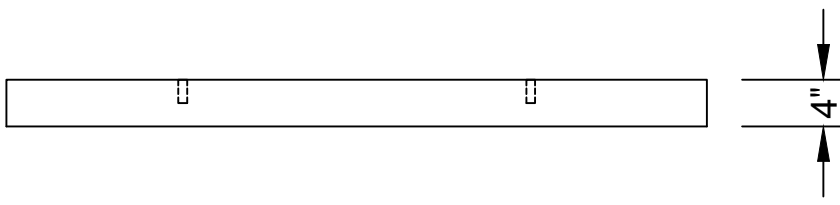


QA Checklist		Initial
Pre-pour	Dimensions & Mesh	
	Block Outs	
	Inserts, Chairs	
	Lifting Devices	
	Form Oil	
	Form Condition	
Post-pour	Cover > 1/2"	
	Lifting Devices	
	Defects	
	Dimensions	
	Date Manufactured	
Stenciled		



PLAN VIEW



ELEVATION VIEW

- NOTES:
1. LIFTING INSERTS PAD SHALL BE 3/4 x 2 COIL INSERTS.
 2. CONCRETE SHALL HAVE MINIMUM STRENGTH OF 4,000 PSI AT 28 DAYS.
 3. 6" x 6" NO. 10 WIRE MESH SHALL BE INSTALLED THROUGHOUT THE ENTIRE PAD.

Trenwa Inc.		1419 Alexandria Pike Fort Thomas, KY 41075
(859) 781-0831		
SCALE: 3/4"=1'-0"	DRAWN BY: BD	DATE: 5/11/2016
TAMPA ELECTRIC COMPANY		
CONCRETE COVER (TEMPORARY) FOR 200A OR 600A SWITCH GEAR PAD OPENING		TEC. NO. 2001325

APPROX. 785#