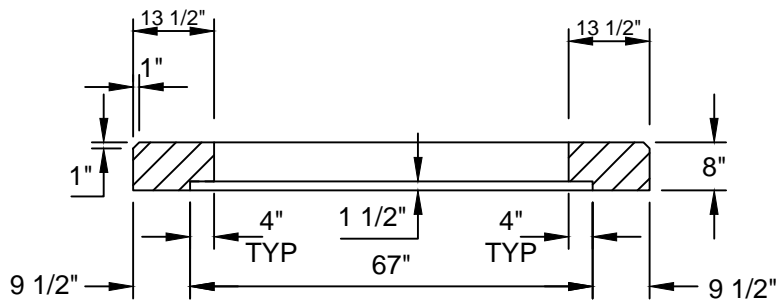
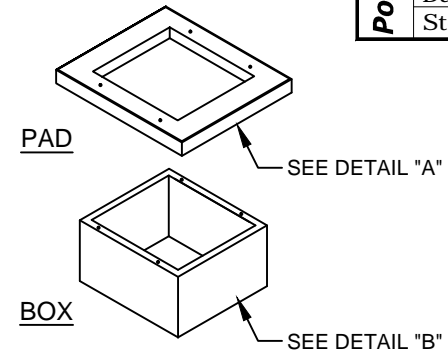


PART A - PAD
PLAN VIEW



PART A - PAD
VIEW A-A



NOTES:

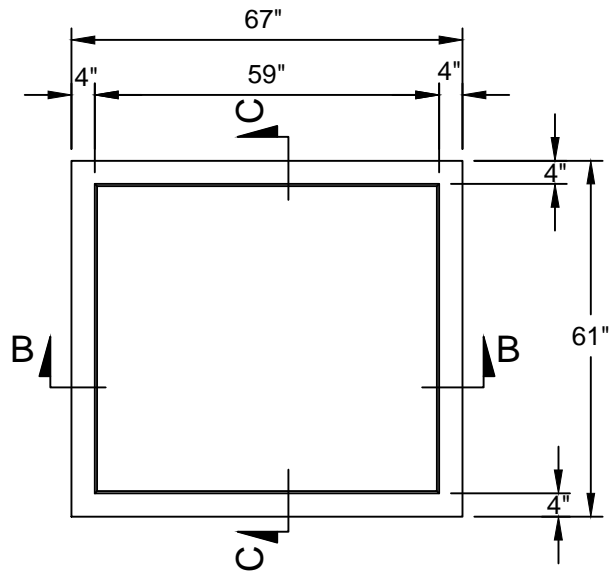
1. LIFTING INSERTS FOR PAD SHALL BE 3/4 x 3 MEDCO CX24 OR EQUAL.
2. LIFTING INSERTS FOR BOX SHALL BE 3/4 x 9 MEDCO CX-9 LOOP INSERTS OR EQUAL. REBAR TO RUN THROUGH LOOP INSERTS.
3. CONCRETE SHALL HAVE MINIMUM STRENGTH OF 4,000 PSI AT 28 DAYS.
4. CURING TIME BEFORE DELIVERY SHALL BE A MINIMUM OF 14 DAYS AS LONG AS MINIMUM STRENGTH OF 4,000 PSI HAS BEEN ACHIEVED.
5. ALL REINFORCING BARS SHALL BE #3 GRADE 60 WITH YIELD STRENGTH OF 60,000 PSI. ALL REINFORCING BARS SHALL BE WELDED OR TIED.

QA Checklist		Initial
Pre-pour	Dimensions & Mesh	
	Block Outs	
	Inserts, Chairs	
	Lifting Devices	
	Form Oil	
Post-pour	Form Condition	
	Cover > 1/2"	
	Lifting Devices	
	Defects	
	Dimensions	
	Date Manufactured	
	Stenciled	

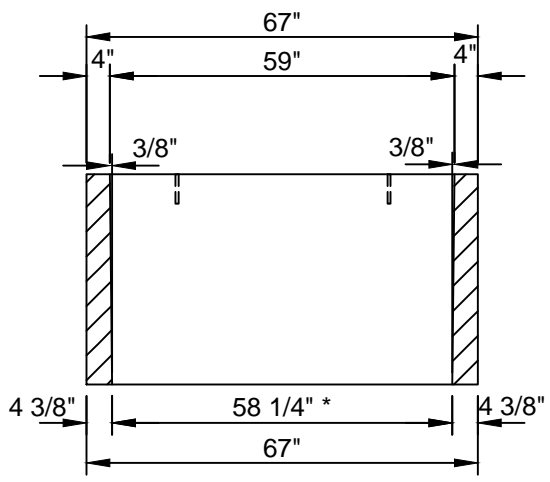
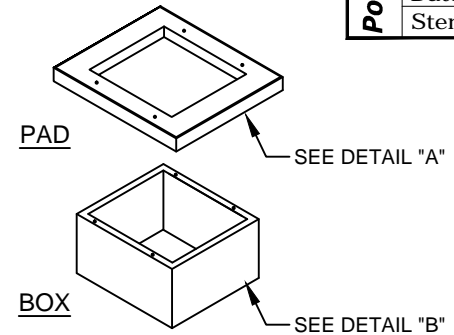
APPROX. 2,150 #

Trenwa Inc.		1419 Alexandria Pike Fort Thomas, KY 41075
(859) 781-0831		
SCALE: 3/8"=1'-0"	DRAWN BY: BD	DATE: 5/11/2016
TAMPA ELECTRIC COMPANY		
PRECAST PAD & BOX FOR 600 AMP SWITCH GEAR		TEC. NO. 2001319-A

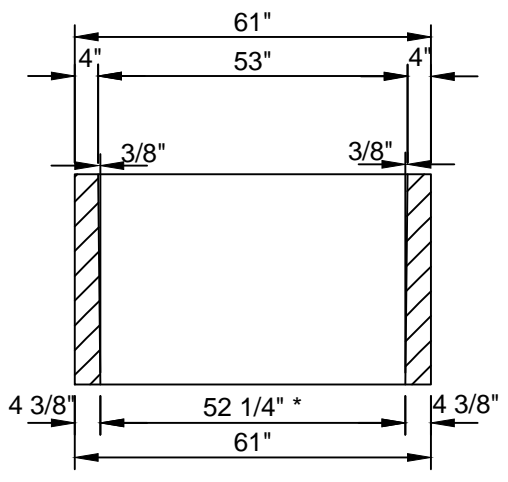
QA Checklist		Initial
Pre-pour	Dimensions & Mesh	
	Block Outs	
	Inserts, Chairs	
	Lifting Devices	
	Form Oil	
	Form Condition	
Post-pour	Cover > 1/2"	
	Lifting Devices	
	Defects	
	Dimensions	
	Date Manufactured	
Stenciled		



PART B - BOX
PLAN VIEW



PART B - BOX
VIEW B-B



PART B - BOX
VIEW C-C

NOTES:

1. LIFTING INSERTS FOR PAD SHALL BE 3/4 x 3 MEDCO CX24 OR EQUAL.
2. LIFTING INSERTS FOR BOX SHALL BE 3/4 x 9 MEDCO CX-9 LOOP INSERTS OR EQUAL. REBAR TO RUN THROUGH LOOP INSERTS.
3. CONCRETE SHALL HAVE MINIMUM STRENGTH OF 4,000 PSI AT 28 DAYS.
4. CURING TIME BEFORE DELIVERY SHALL BE A MINIMUM OF 14 DAYS AS LONG AS MINIMUM STRENGTH OF 4,000 PSI HAS BEEN ACHIEVED.
5. ALL REINFORCING BARS SHALL BE #3 GRADE 60 WITH YIELD STRENGTH OF 60,000 PSI. ALL REINFORCING BARS SHALL BE WELDED OR TIED.

APPROX. 2,900 #

Trenwa Inc. (859) 781-0831		1419 Alexandria Pike Fort Thomas, KY 41075
SCALE: 3/8"=1'-0"	DRAWN BY: BD	DATE: 5/11/2016
TAMPA ELECTRIC COMPANY		
PRECAST PAD & BOX FOR 600 AMP SWITCH GEAR		TEC. NO. 2001319-B