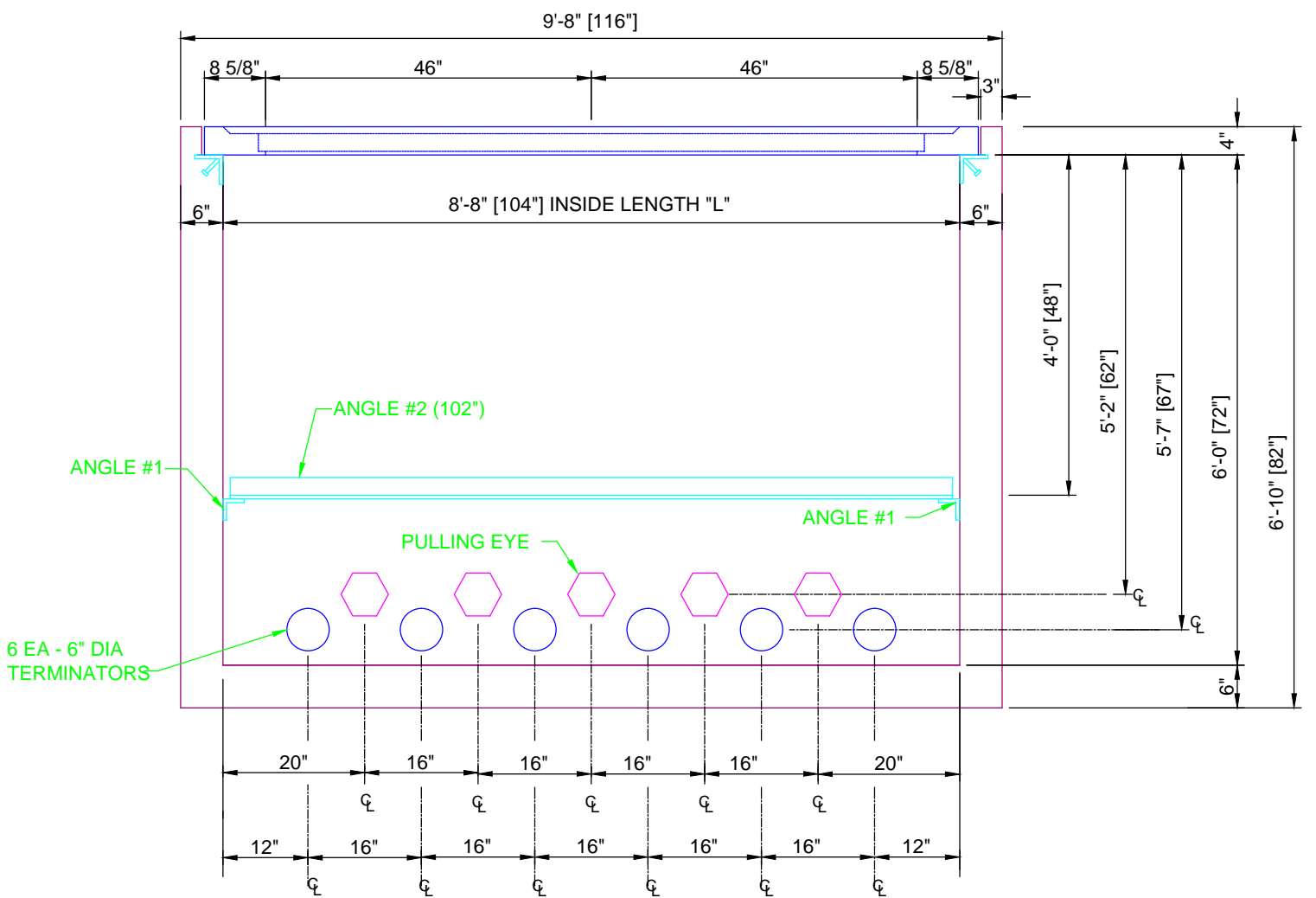
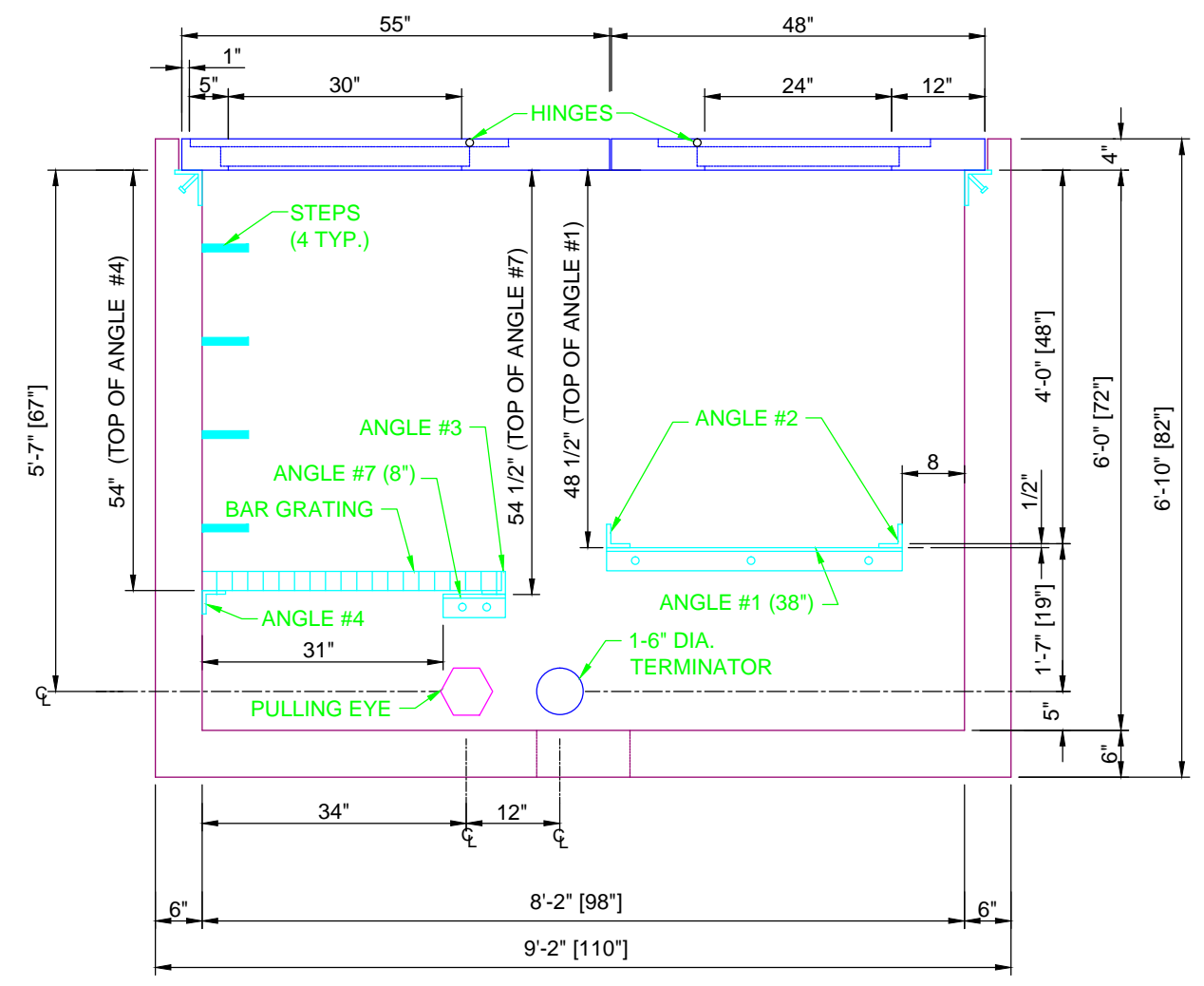


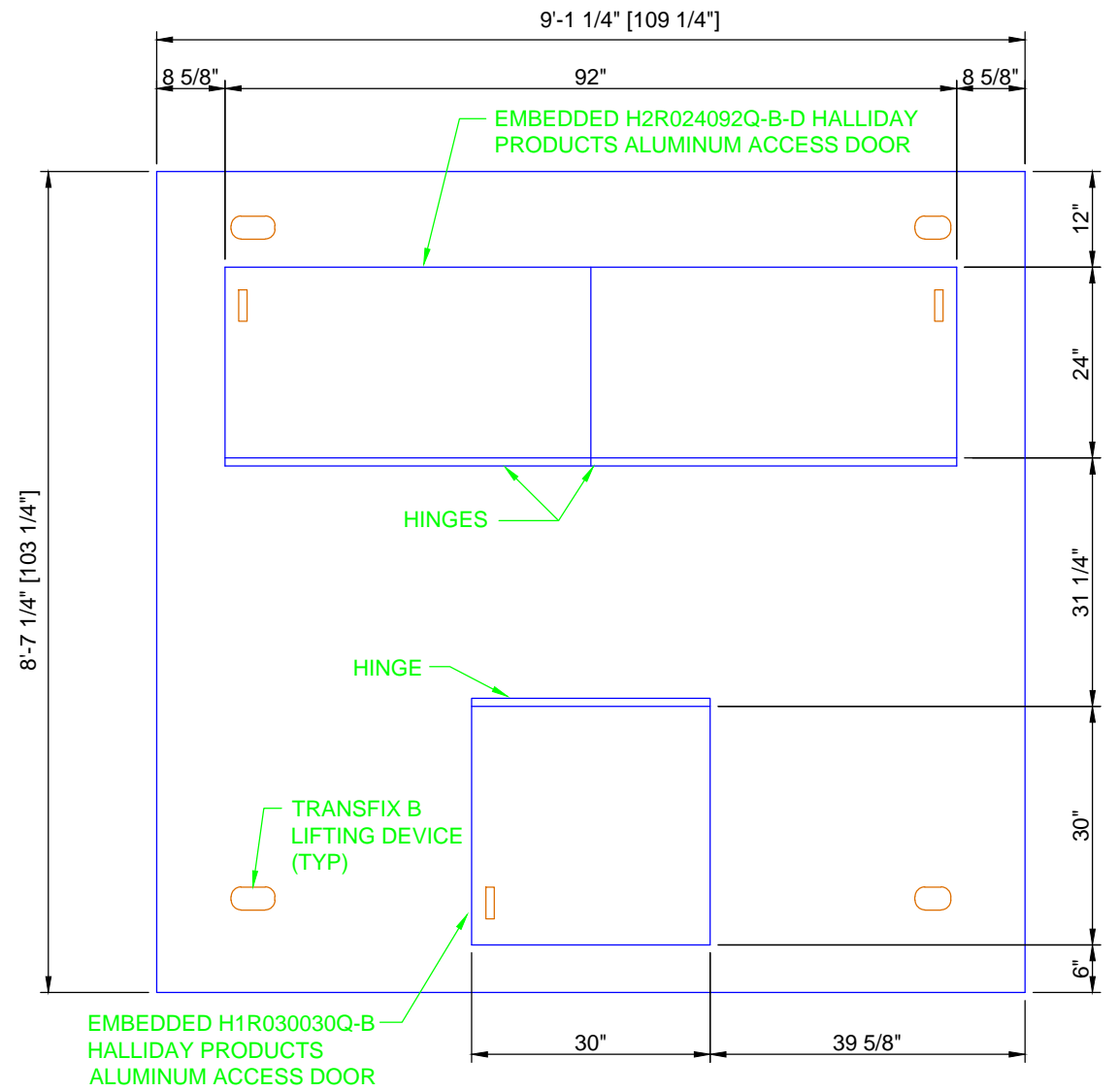
PLAN VIEW
(ANGLE SUPPORTS OMITTED FOR CLARITY)



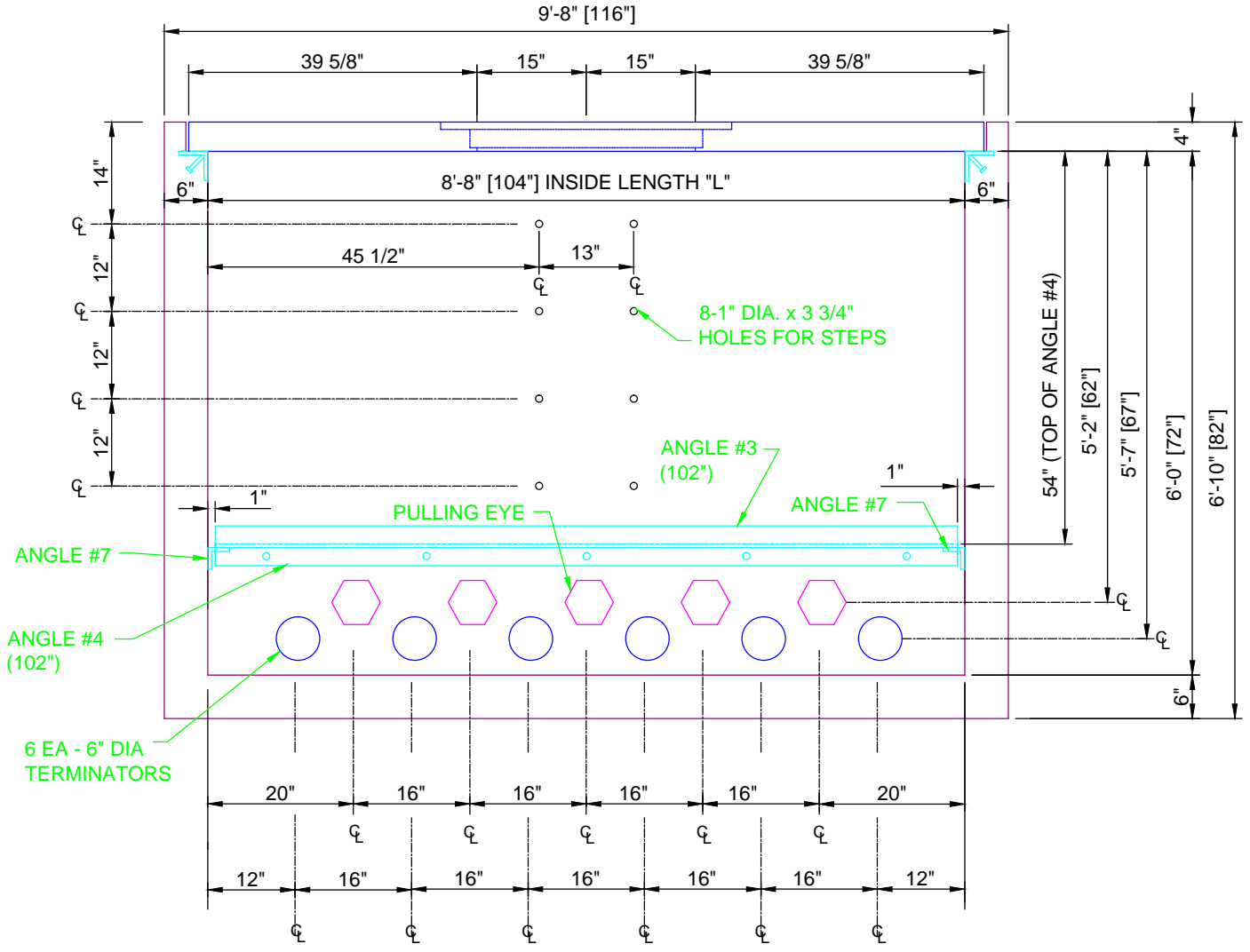
SECTION VIEW A-A
SWITCH GEAR END
(STANDING INSIDE BOX)



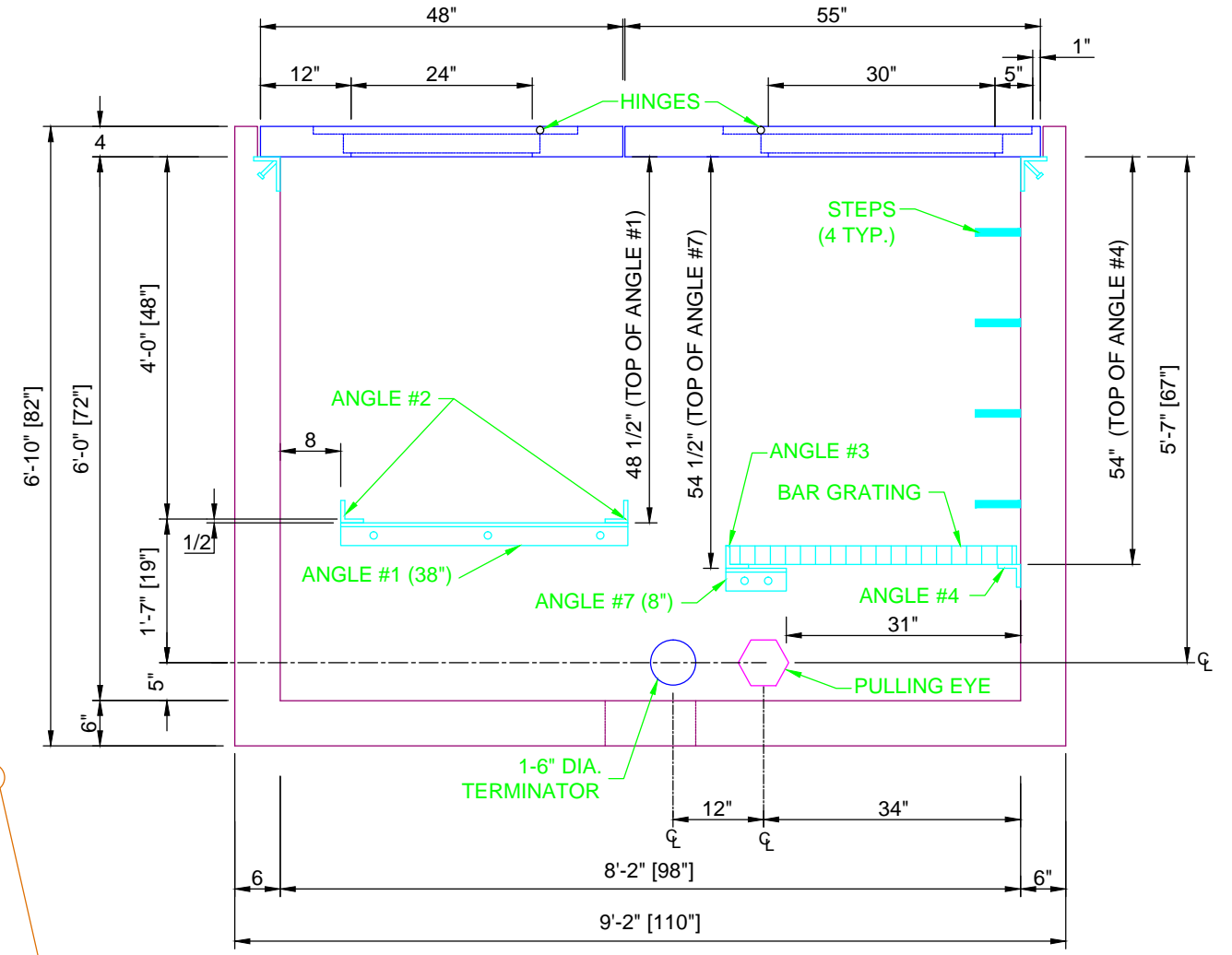
SECTION VIEW B-B
(STANDING INSIDE BOX)



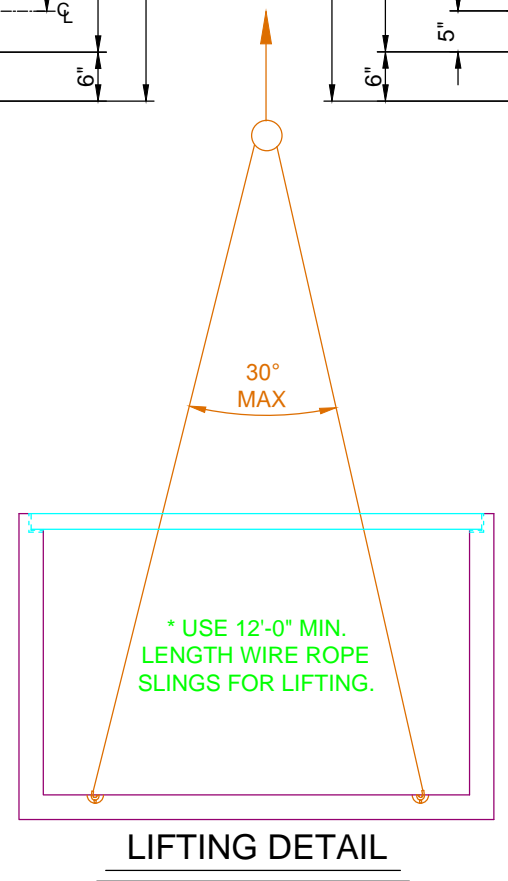
CONCRETE - LID
300 PSF LIVE LOAD
(NOT DESIGNED FOR VEHICULAR TRAFFIC)



SECTION VIEW C-C
(STANDING INSIDE BOX)



SECTION VIEW D-D
(STANDING INSIDE BOX)



LIFTING DETAIL

NOTE:
VAULT WEIGHT = 22,400#
LID WEIGHT = 3,200#

NO.	DATE	BY	REVISION

Trenwa Inc.
1419 ALEXANDRIA PIKE FORT THOMAS, KY 41075 859-781-0831
SCALE: 3/4" = 1'-0" DRAWN BY: bec d. APPROVED BY: KR
DATE: MARCH 1, 2013 ARCH D-SIZE DRAWING PLOT 1:1
6-WAY LIGHT DUTY VAULT
FOR S & C ELECTRIC 15.5 KV VISTA SWITCHGEAR
DRAWING NUMBER
6WLD15-C