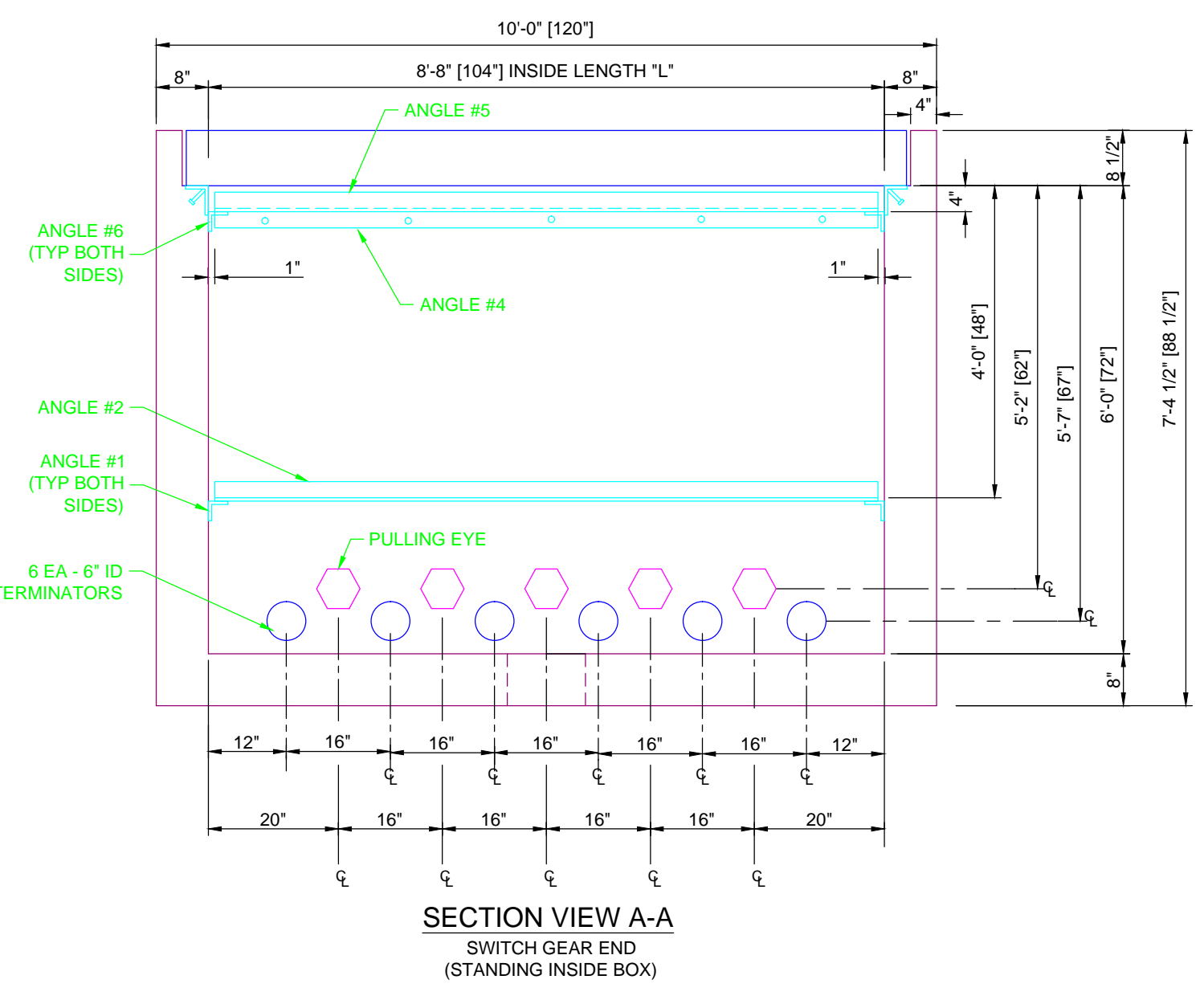
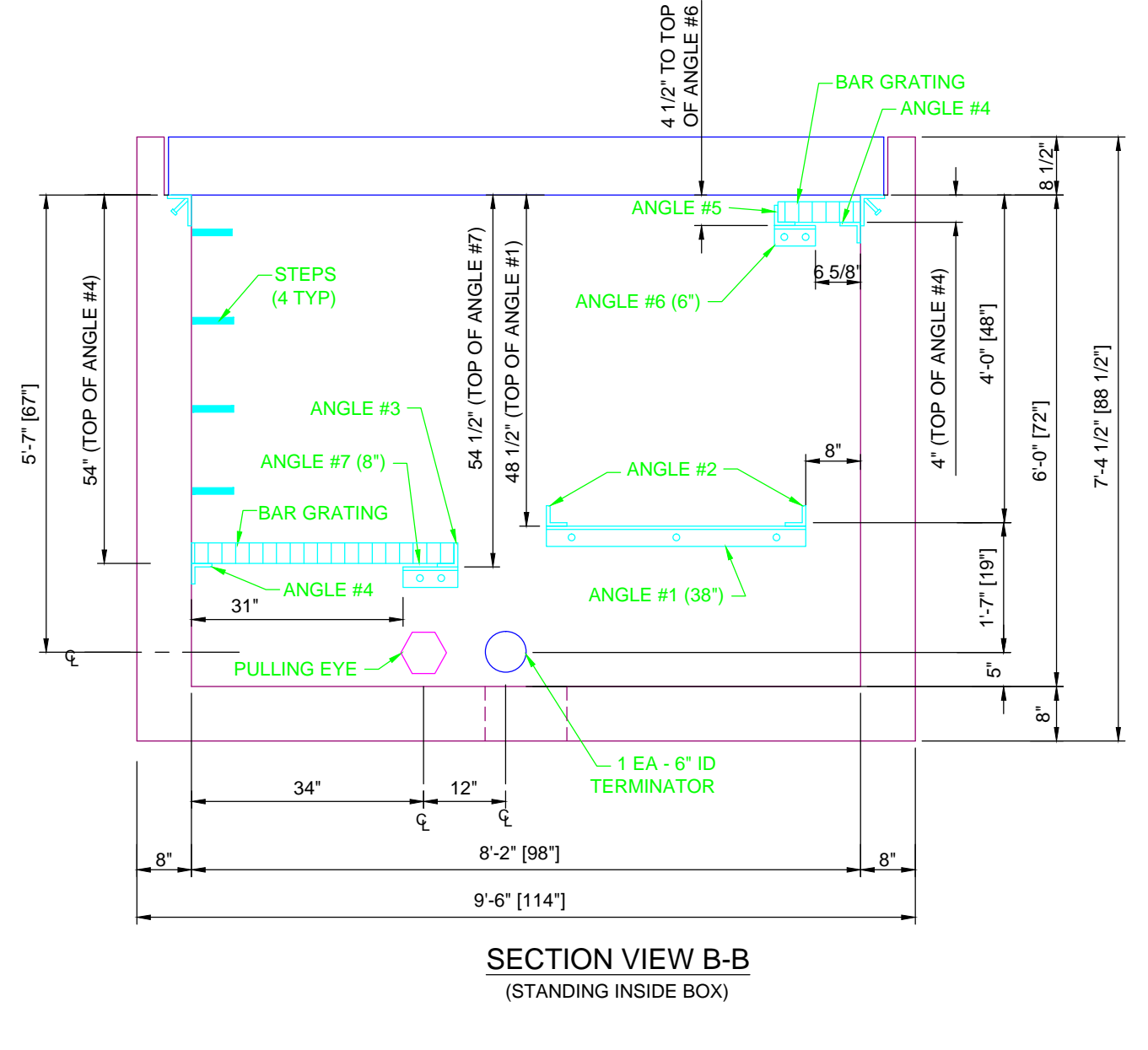


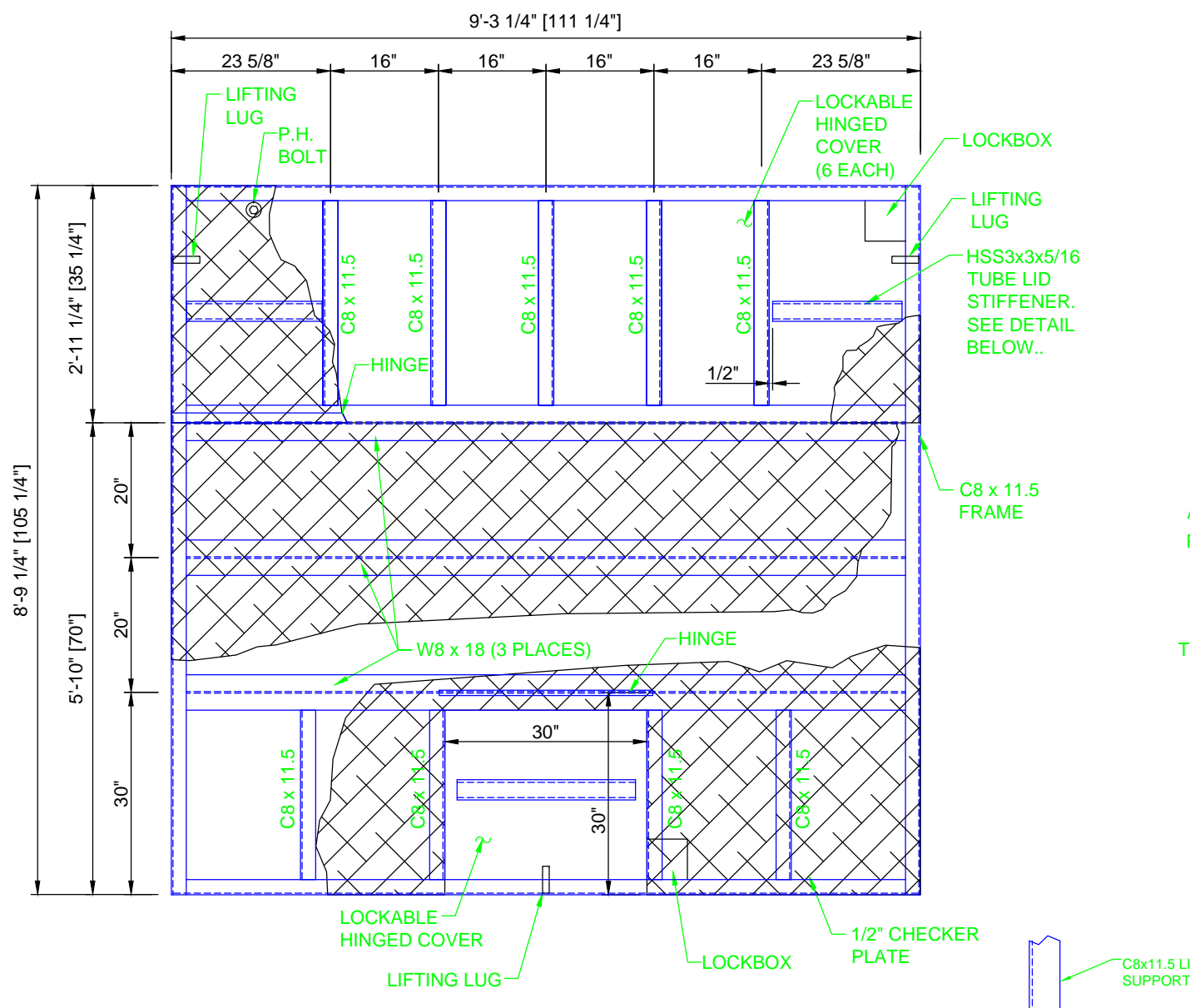
PLAN VIEW
(ANGLE SUPPORTS OMITTED FOR CLARITY)



SECTION VIEW A-A
SWITCH GEAR END
(STANDING INSIDE BOX)

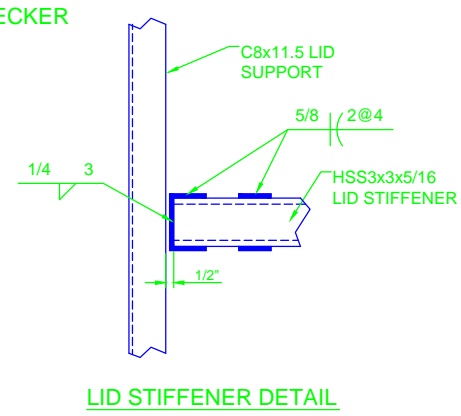


SECTION VIEW B-B
(STANDING INSIDE BOX)

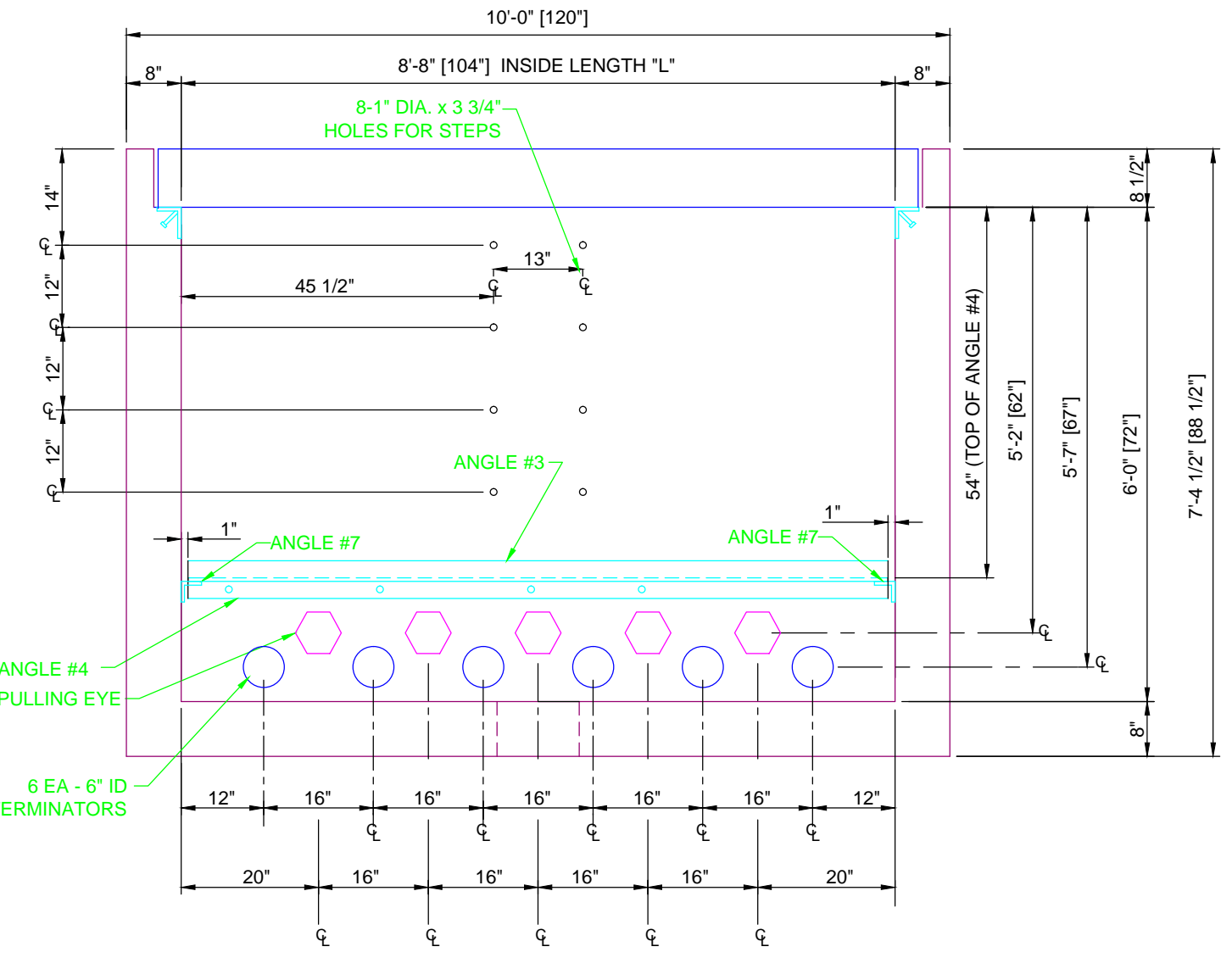


PLAN VIEW - LID
HS20 HIGHWAY LOAD
HOT DIPPED GALVANIZED

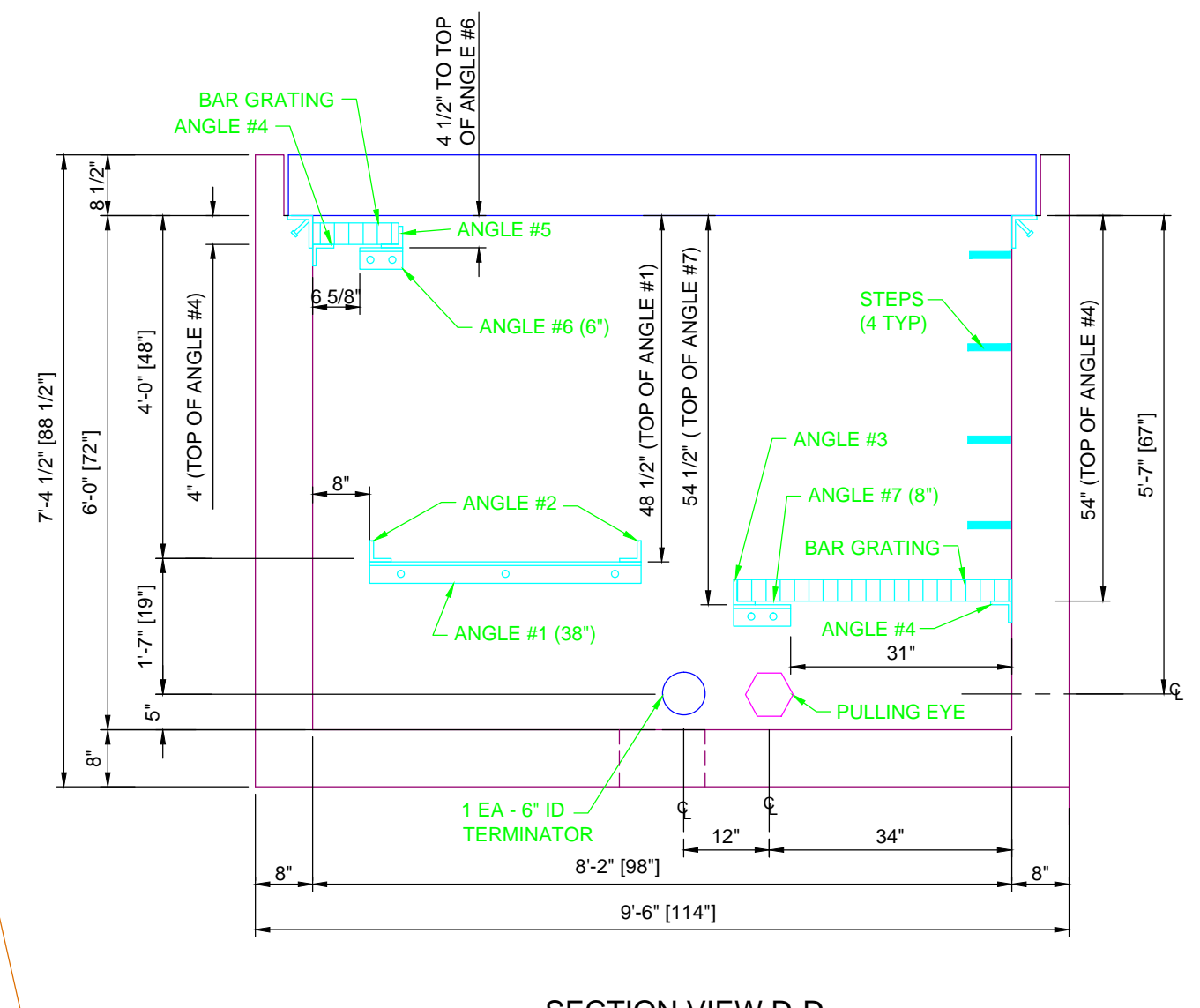
LID MATERIALS
1/2" CHECKER PLATE: ASTM A786 MANUFACTURED TO A36 SPECIFICATION
HOT ROLLED WIDE FLANGE AND CHANNELS: ASTM A992 GRADE 50



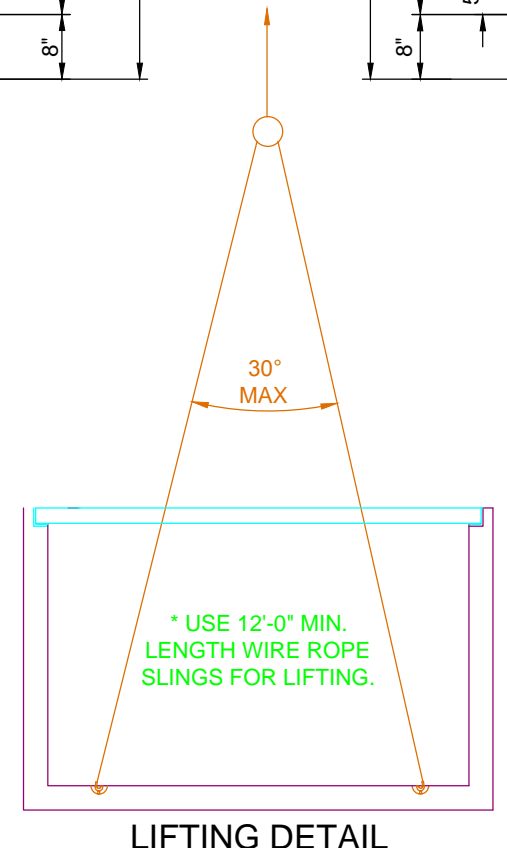
LID STIFFENER DETAIL



SECTION VIEW C-C
(STANDING INSIDE BOX)



SECTION VIEW D-D
(STANDING INSIDE BOX)



LIFTING DETAIL

NOTE:
CONCRETE BASE WEIGHT = 31,500#
STEEL LID WEIGHT = 2,900#

NO.	DATE	BY	REVISION

Trenwa Inc.
1419 ALEXANDRIA PIKE FORT THOMAS, KY 41075 859-781-0831
SCALE: 3/4" = 1'-0" DRAWN BY: bec d. APPROVED BY: KR
DATE: MARCH 1, 2013 ARCH D-SIZE DRAWING PLOT 1:1
6 WAY HEAVY DUTY VAULT-STEEL LID
S&C ELECTRIC 15.5KV VISTA SWITCHGEAR
DRAWING NUMBER
6WHD15-S