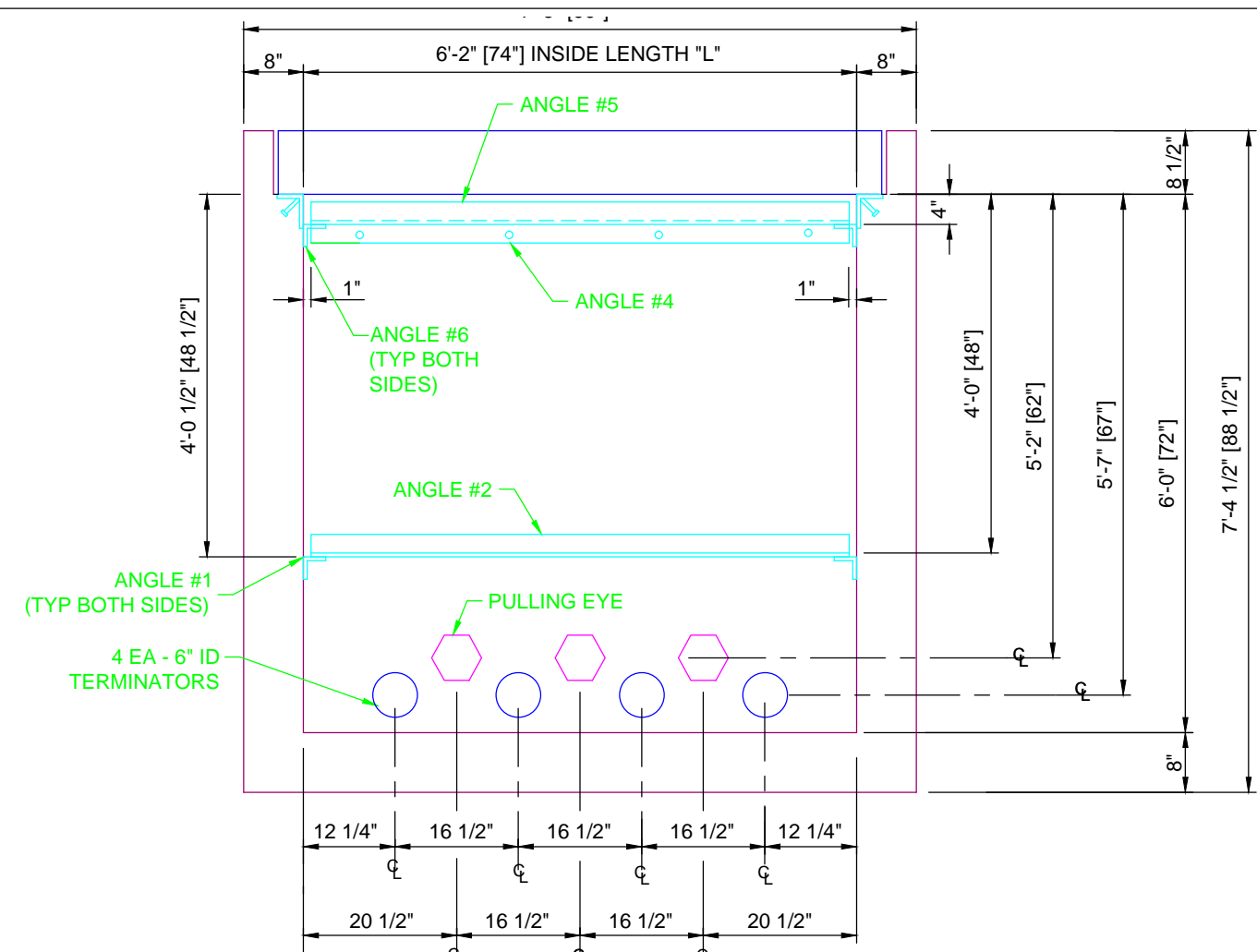
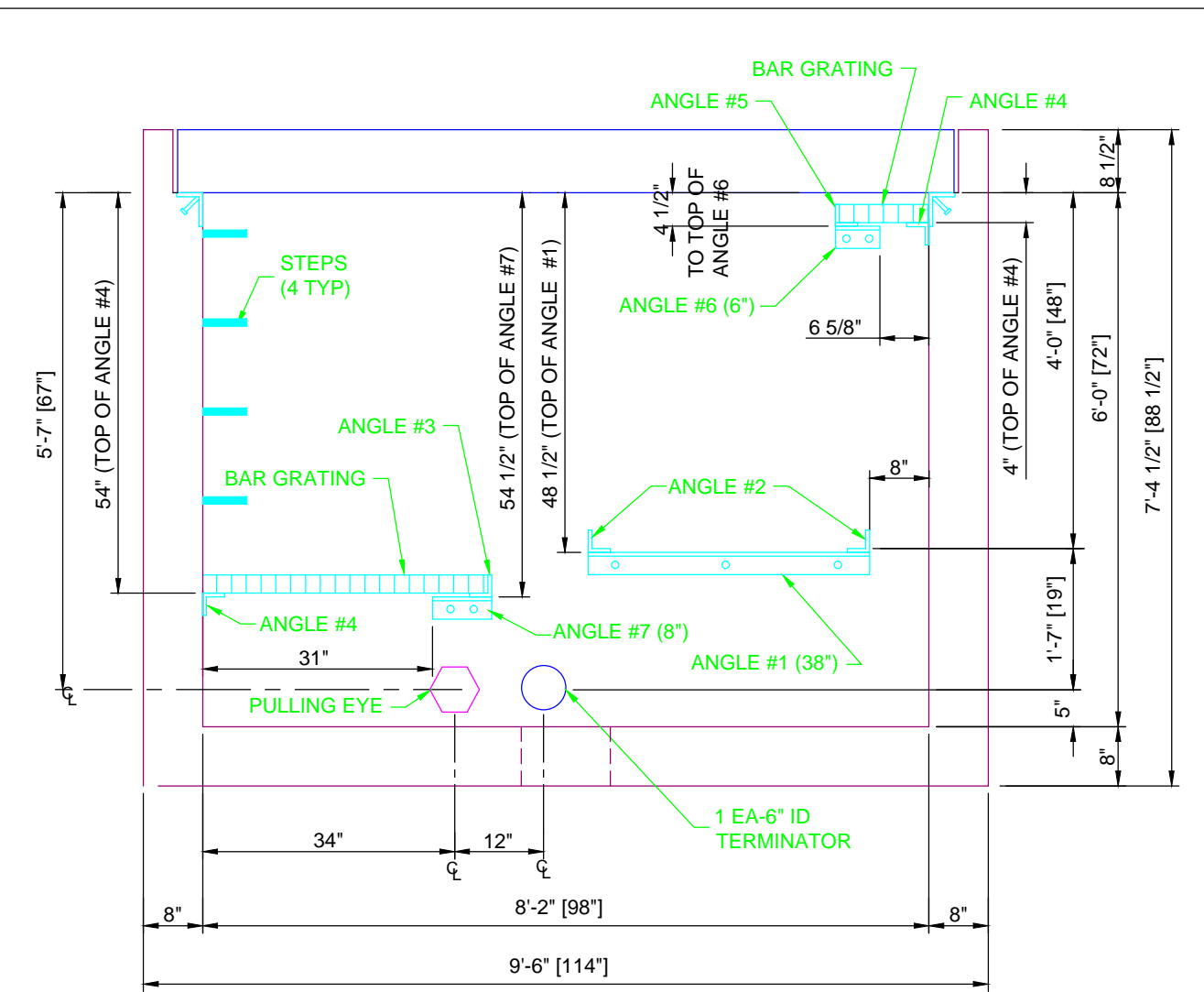


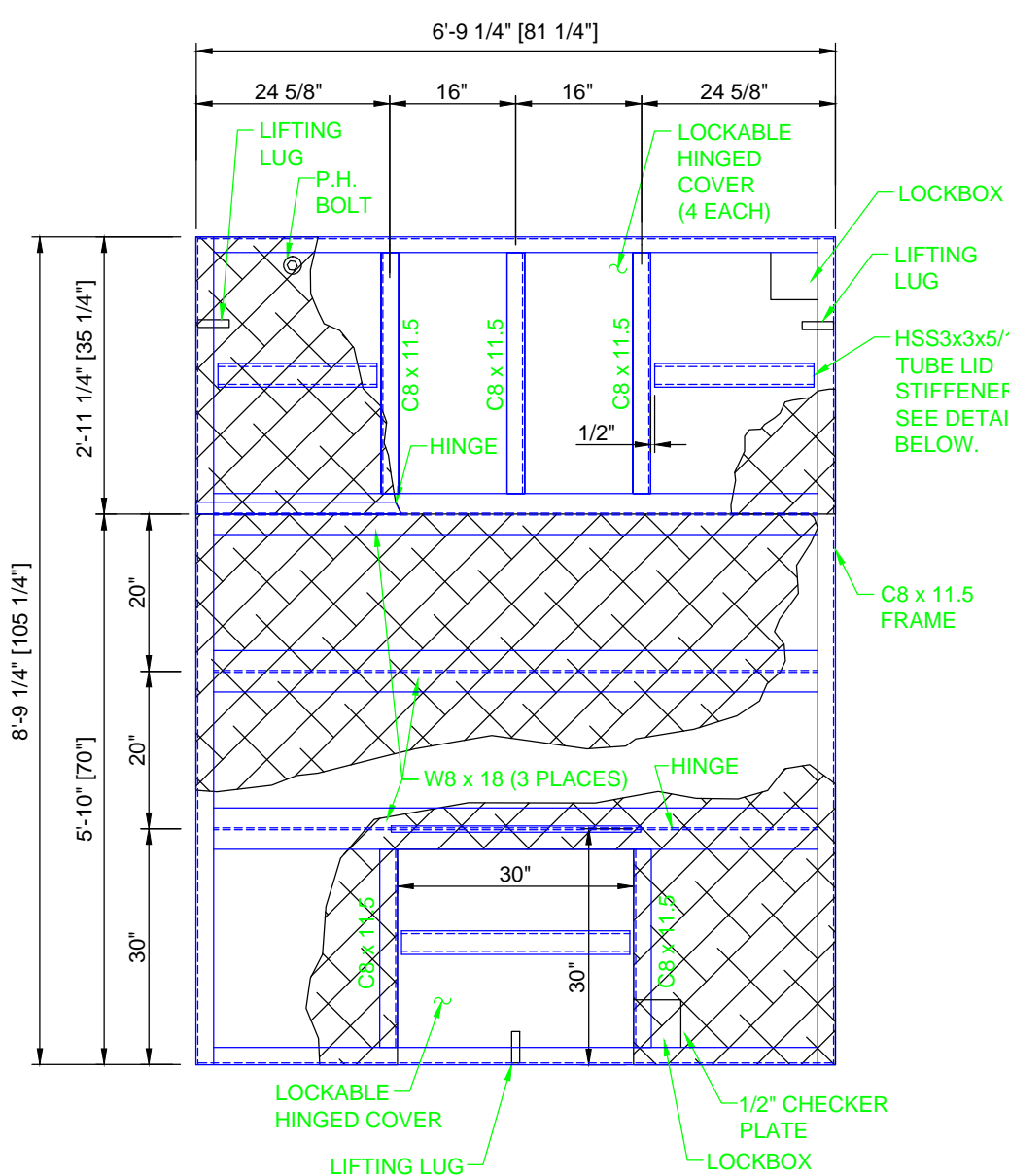
**PLAN VIEW**  
(ANGLE SUPPORTS  
OMITTED FOR CLARITY)



**SECTION VIEW A-A**  
SWITCH GEAR END  
(STANDING INSIDE BOX)

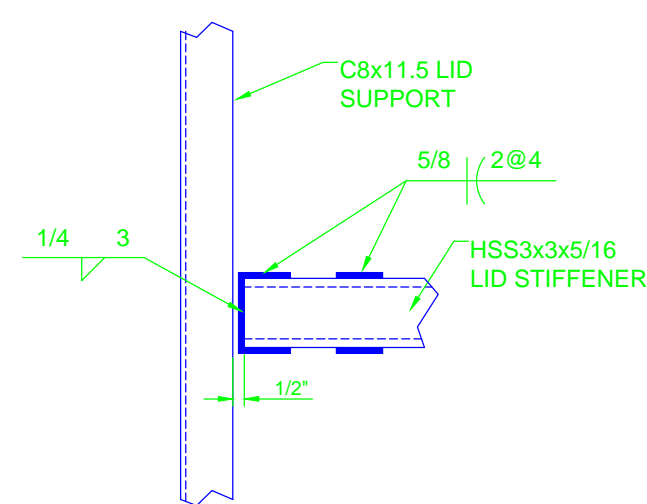


**SECTION VIEW B-B**  
(STANDING INSIDE BOX)

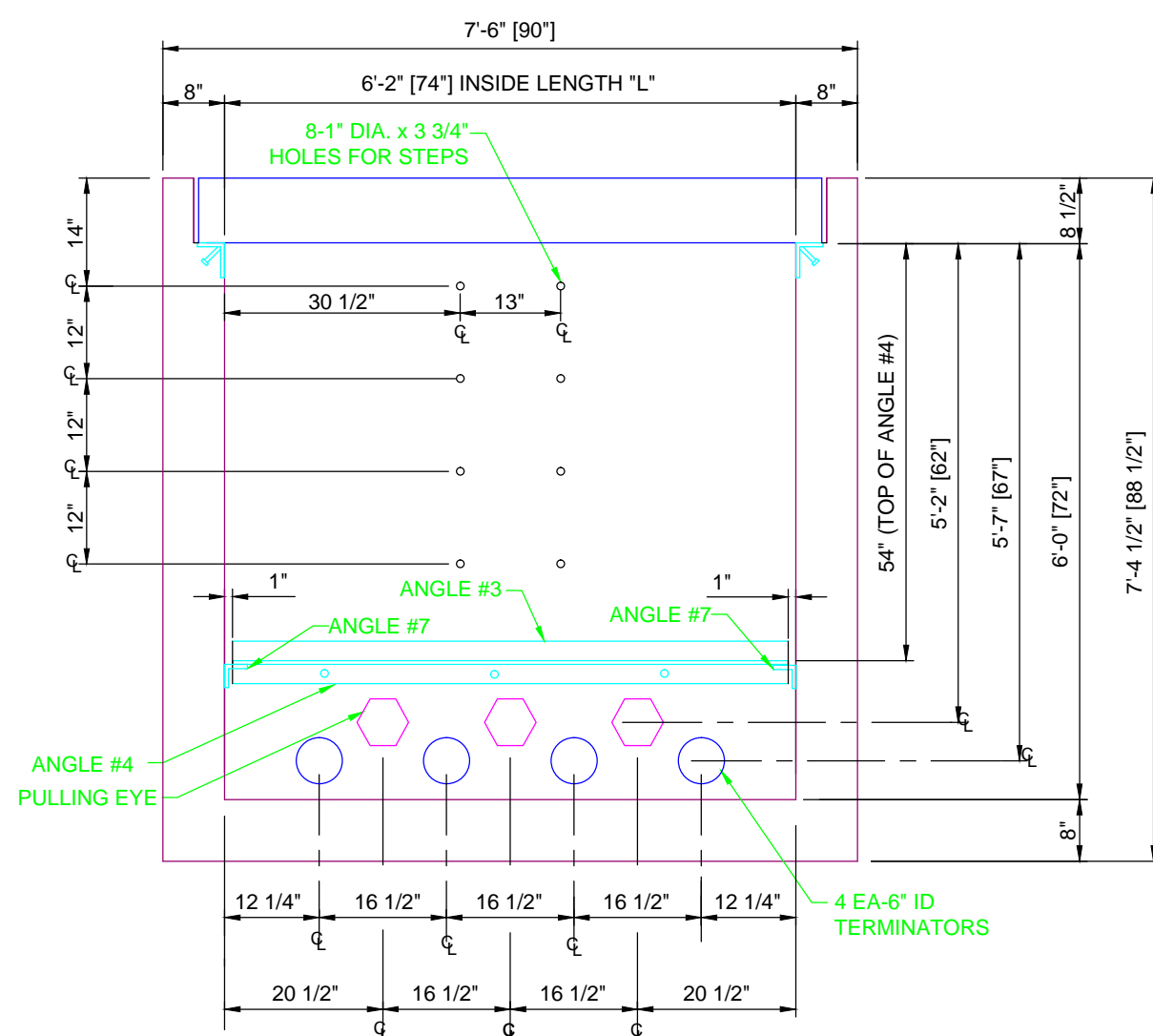


**PLAN VIEW - LID**  
HS20 HIGHWAY LOAD  
HOT DIPPED GALVANIZED

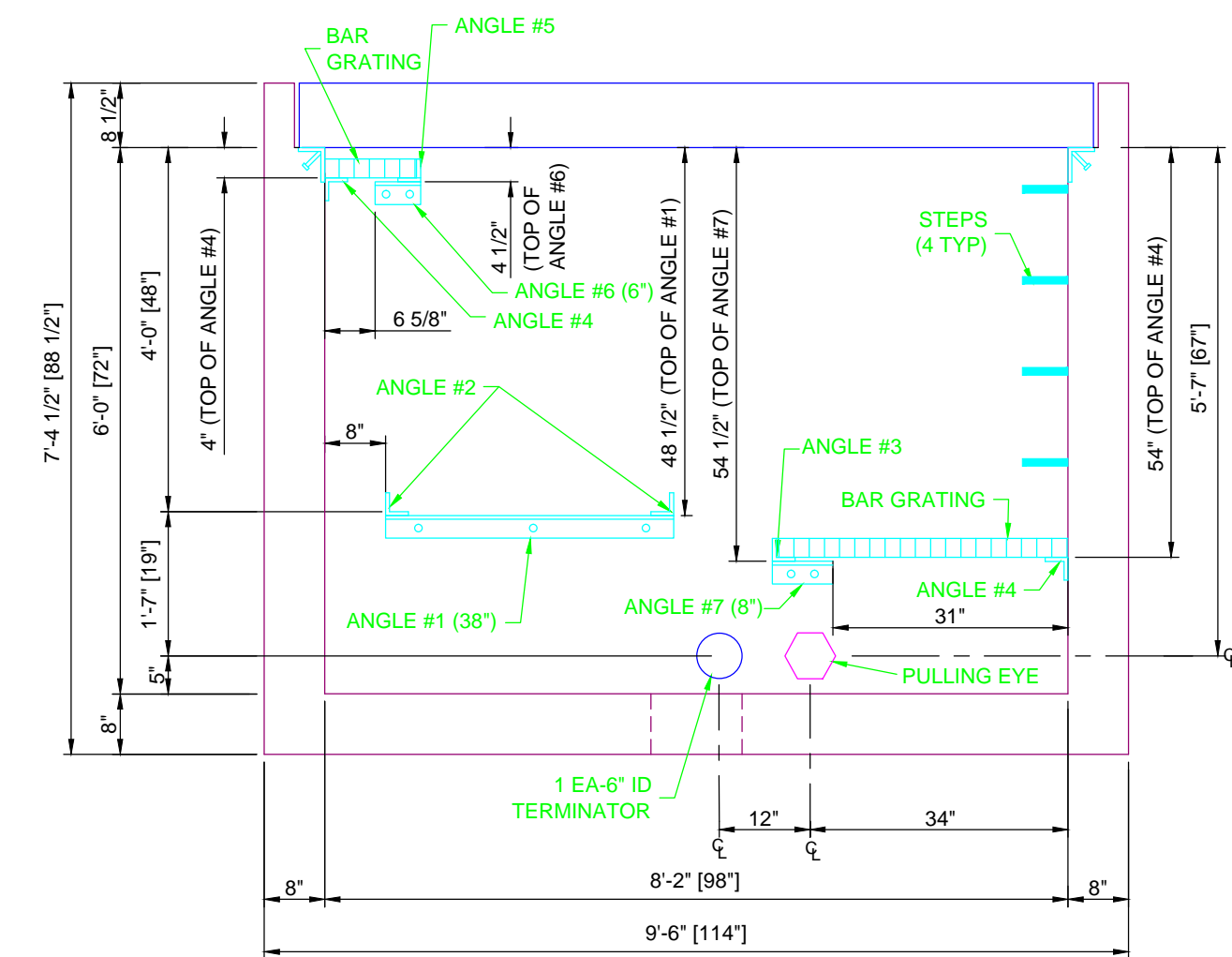
LID MATERIALS  
1/2" CHECKER PLATE: ASTM A786 MANUFACTURED TO A36 SPECIFICATION  
HOT ROLLED WIDE FLANGE AND CHANNELS: ASTM A992 GRADE 50



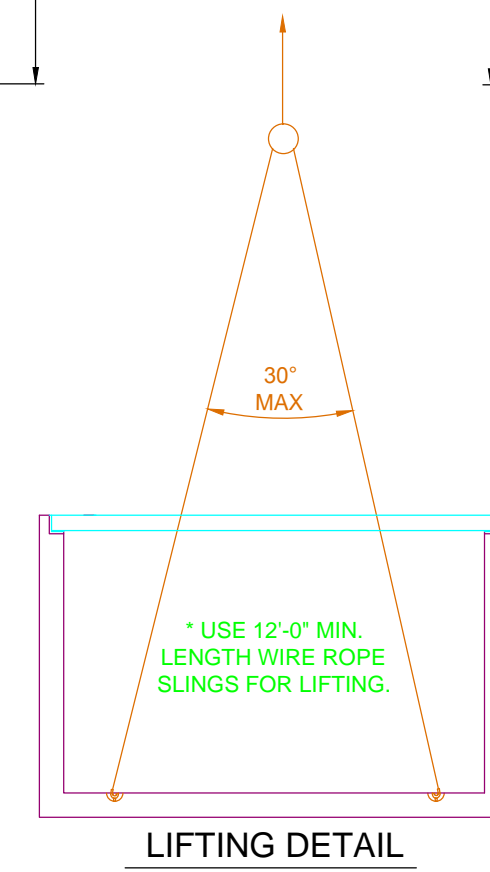
**LID STIFFENER DETAIL**



**SECTION VIEW C-C**  
(STANDING INSIDE BOX)



**SECTION VIEW D-D**  
(STANDING INSIDE BOX)



**LIFTING DETAIL**

**NOTE:**  
CONCRETE VAULT WEIGHT = 26,200#  
STEEL LID WEIGHT = 2,250#

NO.	DATE	BY	REVISION
<p><b>Trenwa Inc.</b> 1419 ALEXANDRIA PIKE FORT THOMAS, KY 41075 859-781-0831 SCALE: 3/4" = 1'-0" DRAWN BY: bcc d. APPROVED BY: KR DATE: MARCH 1, 2013 ARCH D-SIZE DRAWING PLOT 1:1 4 WAY HEAVY DUTY VAULT-STEEL LID S&amp;C ELECTRIC 15.5KV VISTA SWITCHGEAR DRAWING NUMBER 4WHD15-S</p>			