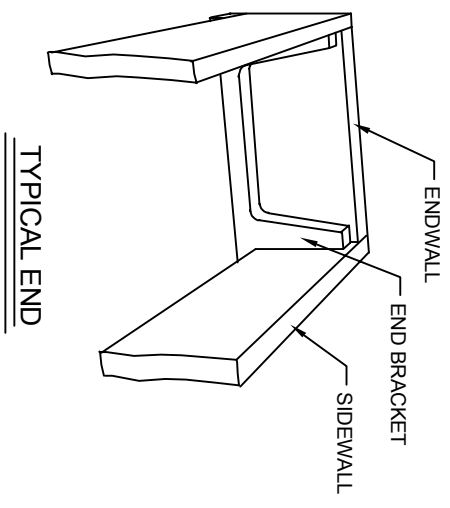
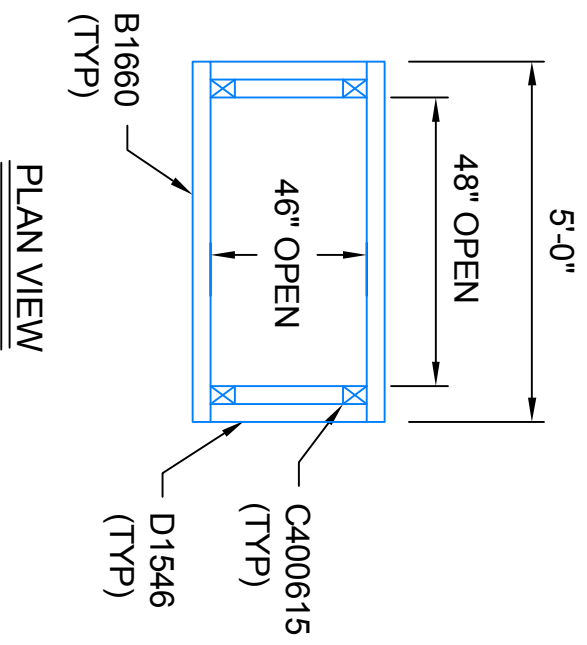
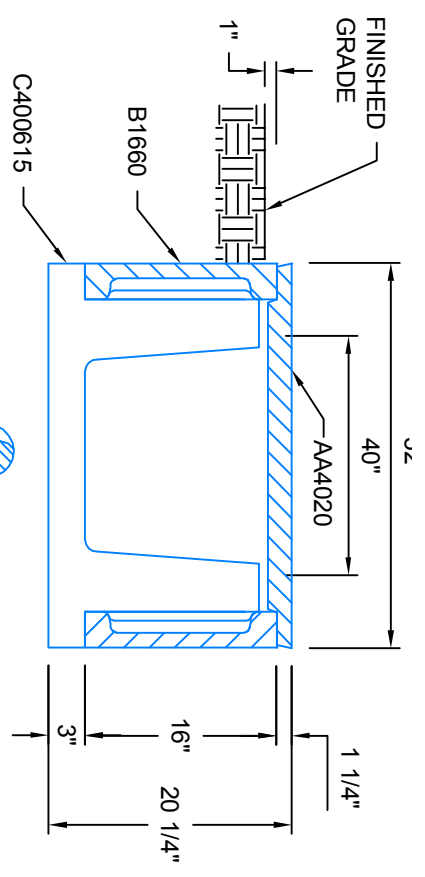


USE 1: 2-AA4020, 2-B1660,  
2-C400615, 2-D1546.



INSTALL SIDEWALLS WITH  
RIB SIDE FACING IN.

TYPICAL SECTION 40" WIDE 16" DEEP



BILL OF MATERIAL			
Quantity	Part Number	Description	Weight(lbs.)
3	AA4020	PEDESTRIAN LID	95
2	B1660	SIDEWALL	150
2	C400615	END BRACKET	120
2	D1546	ENDWALL	165
2	LT	LIFTING TOOL	2

**Trenwa Inc.**

1419 ALEXANDRIA PIKE      FORT THOMAS, KY. 41075      859-781-0831

---

PULLBOX4016-60

---

COMPONENT TRENCH PULLBOX

Date \_\_\_\_\_ Dwg. No. \_\_\_\_\_