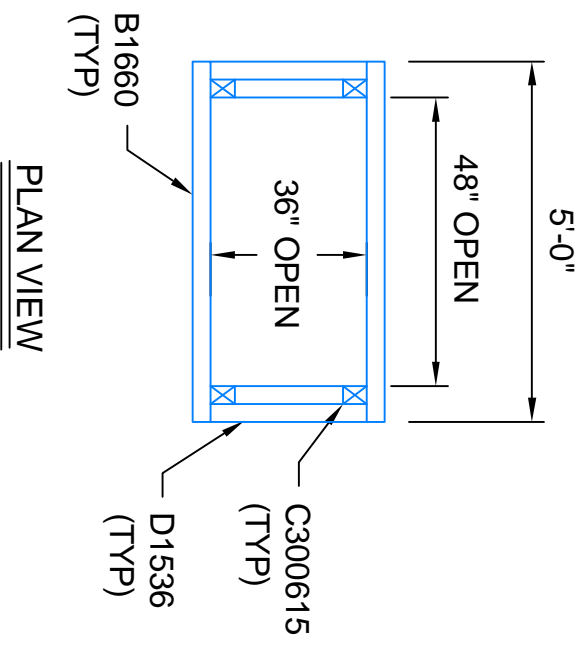
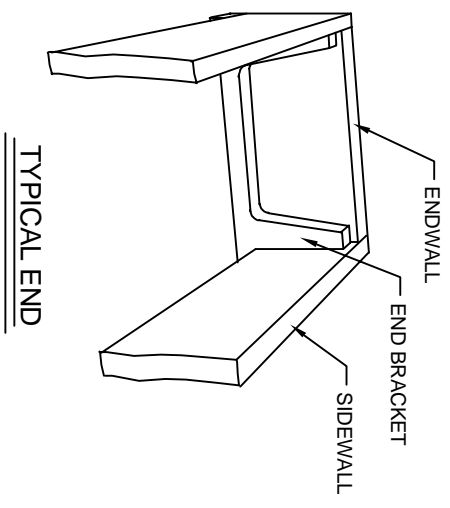


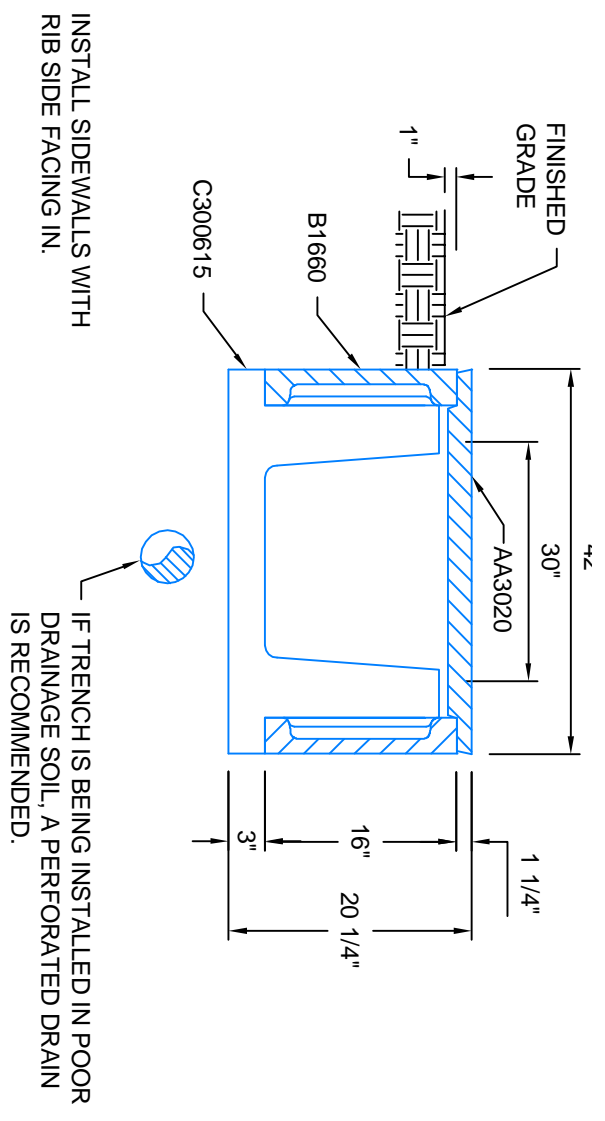
USE 1: 2-AA3020, 2-B1660,
2-C300615, 2-D1536.



PLAN VIEW



TYPICAL END



TYPICAL SECTION 30" WIDE 16" DEEP

BILL OF MATERIAL			
Quantity	Part Number	Description	Weight(lbs.)
3	AA3020	PEDESTRIAN LID	80
2	B1660	SIDEWALL	150
2	C300615	END BRACKET	105
2	D1536	ENDWALL	130
2	LT	LIFTING TOOL	2

Trenwa Inc.	
1419 ALEXANDRIA PIKE	FORT THOMAS, KY. 41075
859-781-0831	
PULLBOX3016-60	
COMPONENT TRENCH PULLBOX	
Date	Dwg. No.