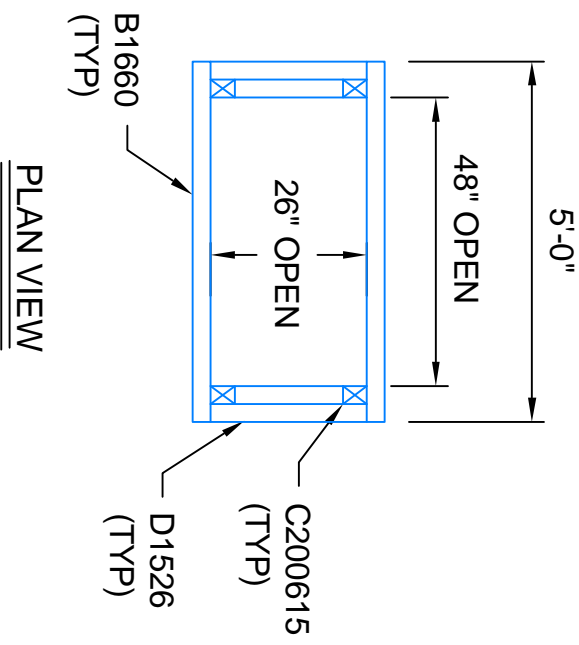
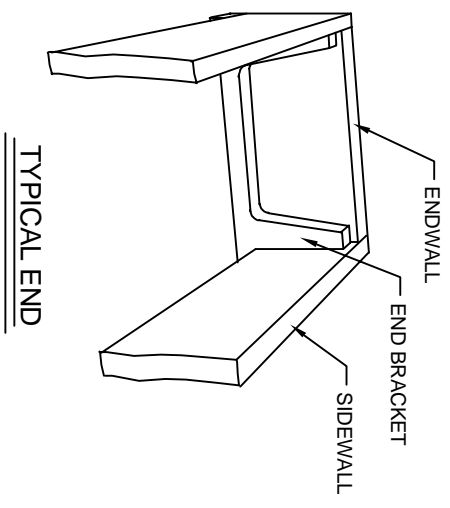


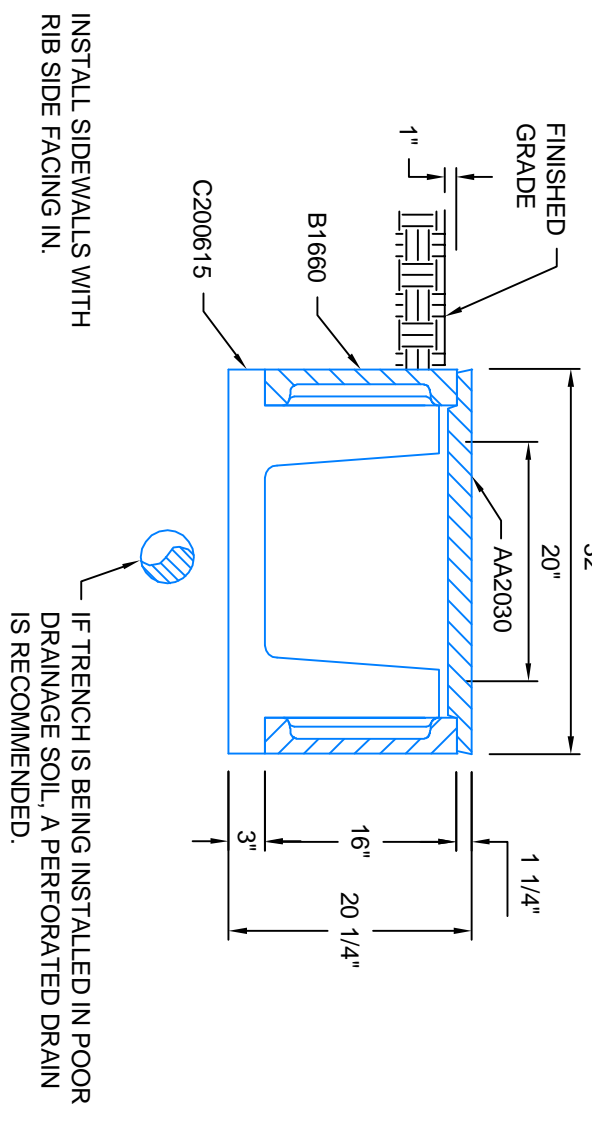
USE 1: 2-AA2030, 2-B1660,
2-C200615, 2-D1526.



PLAN VIEW



TYPICAL END



TYPICAL SECTION 20" WIDE 16" DEEP

INSTALL SIDEWALLS WITH
RIB SIDE FACING IN.

IF TRENCH IS BEING INSTALLED IN POOR
DRAINAGE SOIL, A PERFORATED DRAIN
IS RECOMMENDED.

BILL OF MATERIAL			
Quantity	Part Number	Description	Weight(lbs.)
2	AA2030	PEDESTRIAN LID	80
2	B1660	SIDEWALL	150
2	C200615	END BRACKET	90
2	D1526	ENDWALL	95
2	LT	LIFTING TOOL	2

Trenwa Inc.	
1419 ALEXANDRIA PIKE	FORT THOMAS, KY. 41075
859-781-0831	
PULLBOX2016-60	
COMPONENT TRENCH PULLBOX	
Date	Dwg. No.