

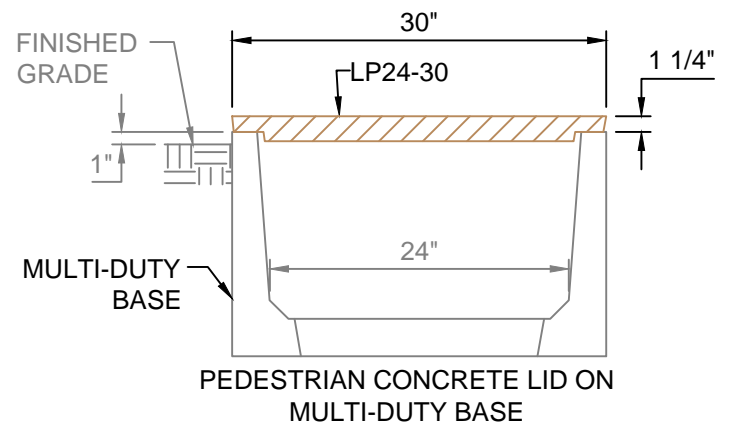
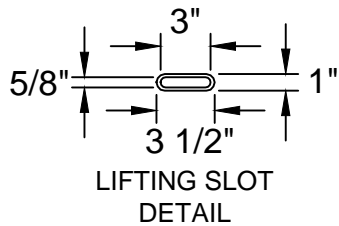
LIFTING SLOT (TYP)

**LP24-30**

SCALE: 1" = 1'-0"

WEIGHT: 77 #

**PEDESTRIAN RATED**



<b>Trenwa Inc.</b>	
1419 ALEXANDRIA PIKE FORT THOMAS, KY 41075 859-781-0831	
<b>PEDESTRIAN CONCRETE LID &amp; SECTION FOR 24" WIDE MULTI-DUTY TRENCH</b>	
Date: 9/20/17	Dwg. No. LP24-30