

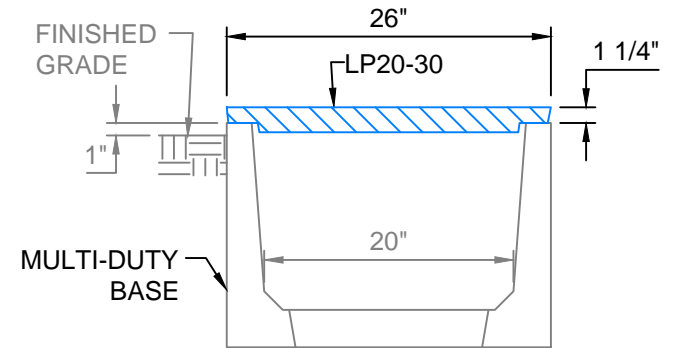
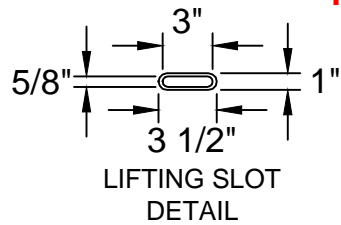
LIFTING SLOT (TYP)

**LP20-30**

SCALE: 1" = 1'-0"

WEIGHT: 68 #

**PEDESTRIAN RATED**



PEDESTRIAN CONCRETE LID ON MULTI-DUTY BASE

**Trenwa Inc.**

1419 ALEXANDRIA PIKE FORT THOMAS, KY 41075 859-781-0831

**PEDESTRIAN CONCRETE LID & SECTION FOR 20" WIDE MULTI-DUTY TRENCH**

Date:  
9/20/17

Dwg. No.  
LP20-30