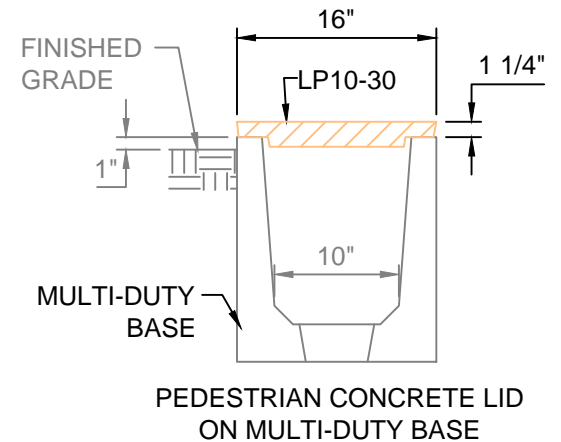
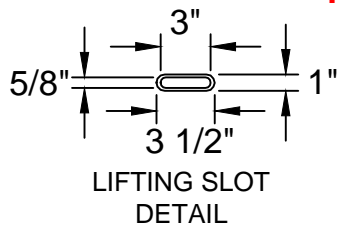


LP10-30

SCALE: 1" = 1'-0"

WEIGHT: 64 #

PEDESTRIAN RATED



PEDESTRIAN CONCRETE LID
ON MULTI-DUTY BASE

Trenwa Inc.

1419 ALEXANDRIA PIKE FORT THOMAS, KY 41075 859-781-0831

**PEDESTRIAN CONCRETE LID & SECTION
FOR 10" WIDE MULTI-DUTY TRENCH**

Date:
9/20/17

Dwg. No.
LP10-30