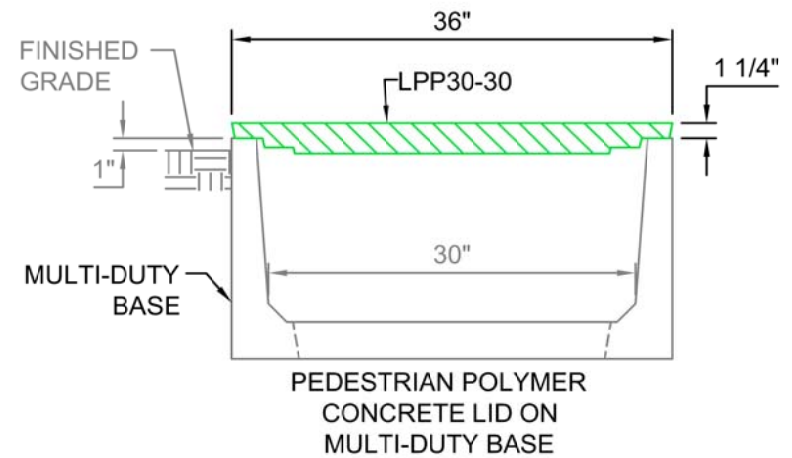


**LPP30-30**  
 SCALE: 1" = 1'-0"  
 WEIGHT: 92 #  
**PEDESTRIAN RATED**



<b>Trenwa Inc.</b>		
1419 ALEXANDRIA PIKE FORT THOMAS, KY 41075 859-781-0831		
<b>PEDESTRIAN POLYMER CONCRETE LID &amp; SECTION FOR 30" WIDE MULTI-DUTY TRENCH</b>		
Date:	Dwg. No.	
3/16/17	LPP30-30	