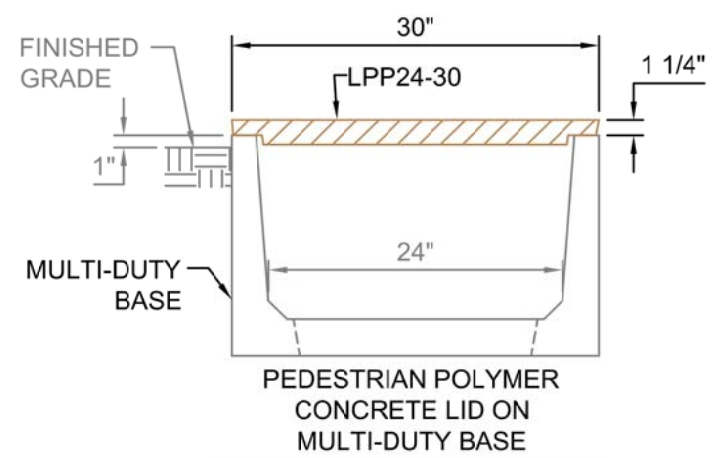
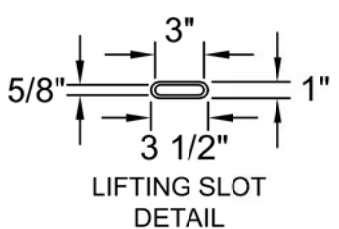


LPP24-30
 SCALE: 1" = 1'-0"
 WEIGHT: 77 #

PEDESTRIAN RATED



Trenwa Inc.

1419 ALEXANDRIA PIKE FORT THOMAS, KY 41075 859-781-0831

PEDESTRIAN POLYMER CONCRETE LID & SECTION FOR 24" WIDE MULTI-DUTY TRENCH

Date:
3/16/17

Dwg. No.
LPP24-30