

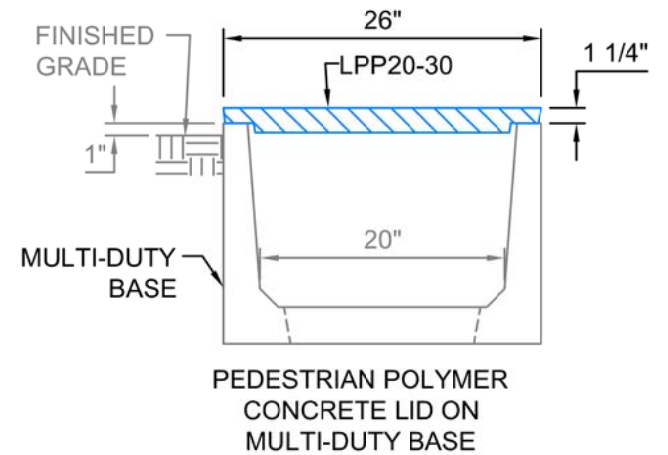
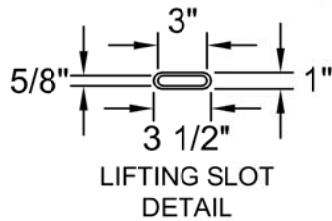
LIFTING SLOT (TYP)

LPP20-30

SCALE: 1" = 1'-0"

WEIGHT: 68 #

PEDESTRIAN RATED



Trenwa Inc.

1419 ALEXANDRIA PIKE FORT THOMAS, KY 41075 859-781-0831

**PEDESTRIAN POLYMER CONCRETE LID & SECTION
FOR 20" WIDE MULTI-DUTY TRENCH**

Date:

3/16/17

Dwg. No.

LPP20-30