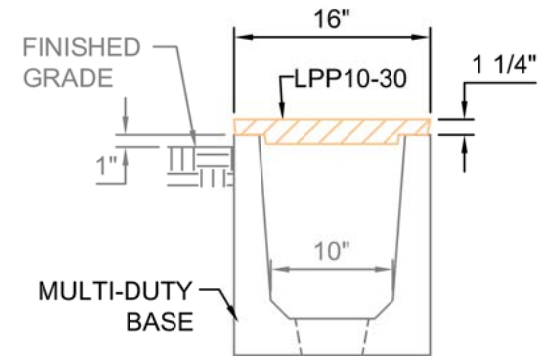
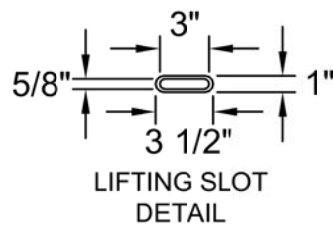


LPP10-30
 SCALE: 1" = 1'-0"
 WEIGHT: 64 #
PEDESTRIAN RATED



PEDESTRIAN POLYMER
 CONCRETE LID
 ON MULTI-DUTY BASE

Trenwa Inc.

1419 ALEXANDRIA PIKE FORT THOMAS, KY 41075 859-781-0831

PEDESTRIAN POLYMER CONCRETE LID & SECTION
 FOR 10" WIDE MULTI-DUTY TRENCH

Date:
 3/15/17

Dwg. No.
 LPP10-30