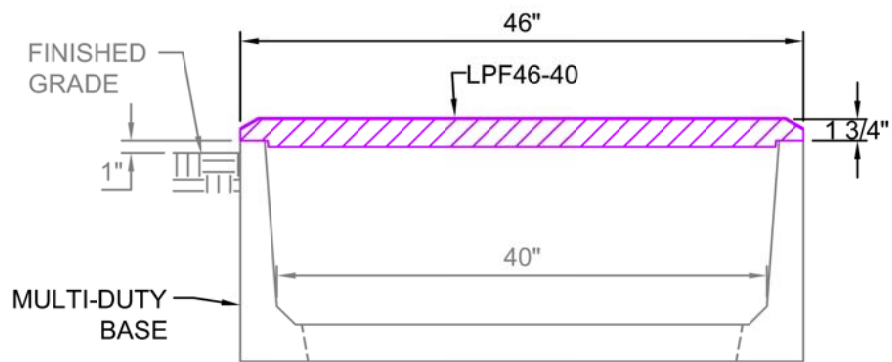


**LPF46-40**

SCALE: 1" = 1'-0"

WEIGHT: 44 #

**PEDESTRIAN RATED**



PEDESTRIAN FIBRELITE LID  
ON MULTI-DUTY BASE

<b>Trenwa Inc.</b>	
1419 ALEXANDRIA PIKE FORT THOMAS, KY 41075 859-781-0831	
<b>PEDESTRIAN FIBRELITE LID &amp; SECTION FOR 40" WIDE MULTI-DUTY TRENCH</b>	
Date: 3/27/17	Dwg. No. LPF46-40