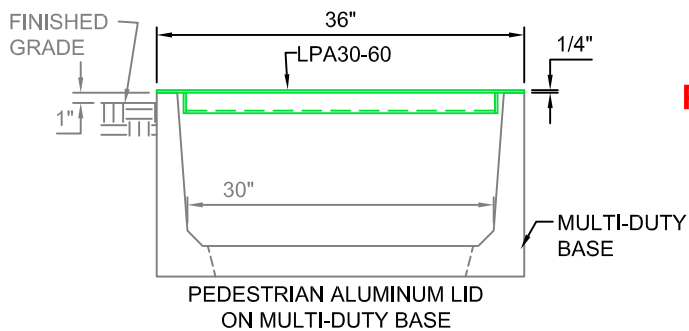


LPA30-60
 SCALE: 1" = 1'-0"
 WEIGHT: 68#
PEDESTRIAN RATED



Trenwa Inc.		
1419 ALEXANDRIA PIKE	FORT THOMAS, KY 41075	859-781-0831
PEDESTRIAN ALUMINUM LID & SECTION FOR 30" WIDE MULTI-DUTY TRENCH		
Date:	Dwg. No.	
3/16/17	LPA30-60	