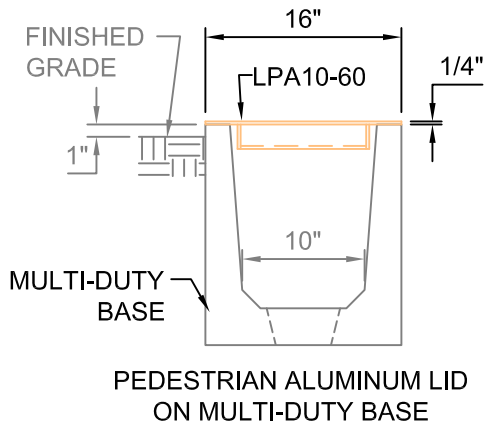


## LPA10-60

SCALE: 1" = 1'-0"

WEIGHT: 33#

**PEDESTRIAN RATED**



## Trenwa Inc.

1419 ALEXANDRIA PIKE FORT THOMAS, KY 41075 859-781-0831

PEDESTRIAN ALUMINUM LID & SECTION FOR  
10" WIDE MULTI-DUTY TRENCH

Date:  
3/16/17

Dwg. No.  
LPA10-60