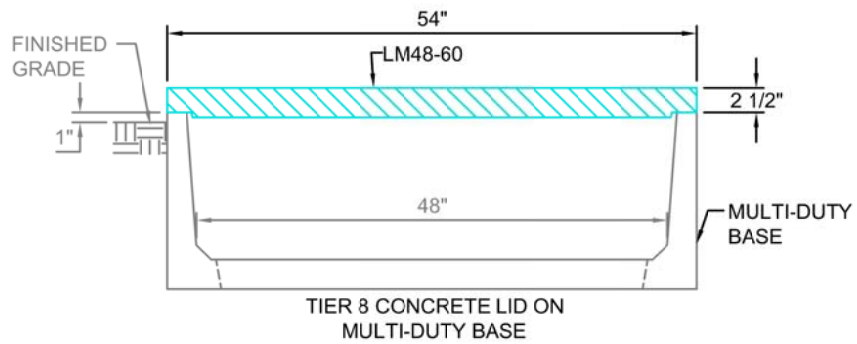


FX-16 FERRULE
AND MX-28 PLUG

LM48-60
SCALE: 1" = 1'-0"
WEIGHT: 810 #
TIER 8 RATED



TIER 8 CONCRETE LID ON
MULTI-DUTY BASE

Trenwa Inc.		
1419 ALEXANDRIA PIKE FORT THOMAS, KY 41075 859-781-0831		
TIER 8 CONCRETE LID & SECTION VIEW FOR 48" WIDE MULTI-DUTY TRENCH		
Date: 2/16/17	Dwg. No. LM48-60	