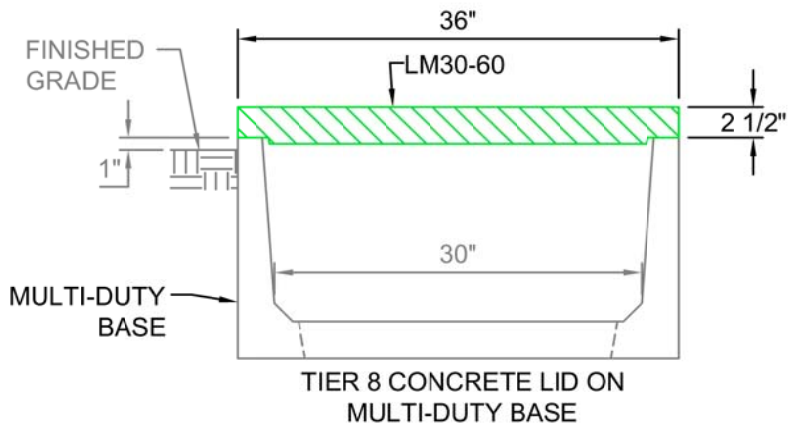
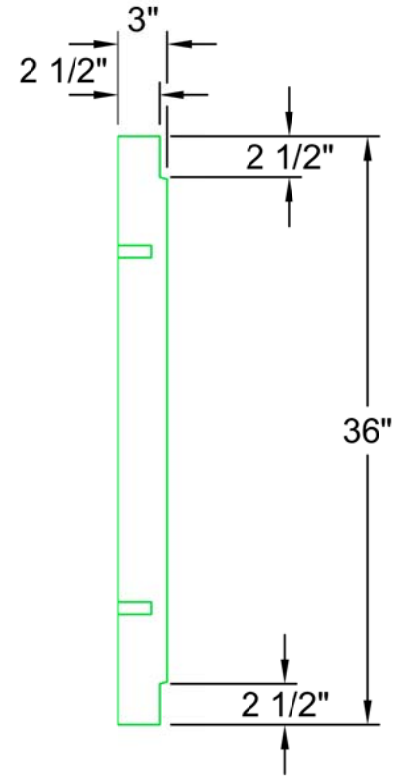


FX-16 FERRULE
AND MX-28 PLUG

LM30-60
SCALE: 1" = 1'-0"
WEIGHT: 536 #
TIER 8 RATED



Trenwa Inc.		
1419 ALEXANDRIA PIKE	FORT THOMAS, KY 41075	859-781-0831
TIER 8 CONCRETE LID & SECTION VIEW FOR 30" WIDE MULTI-DUTY TRENCH		
Date:	Dwg. No.	
2/16/17	LM30-60	