

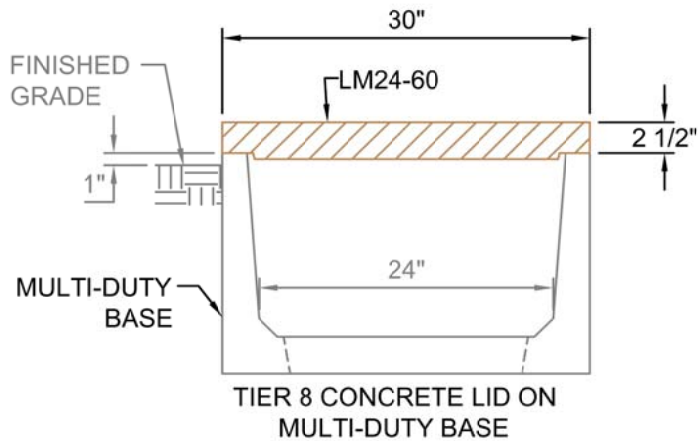
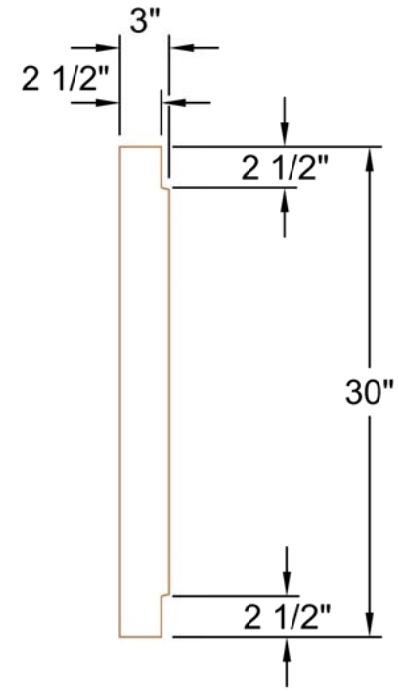
FX-16 FERRULE
AND MX-28 PLUG

LM24-60

SCALE: 1" = 1'-0"

WEIGHT: 444 #

TIER 8 RATED



TIER 8 CONCRETE LID ON
MULTI-DUTY BASE

Trenwa Inc.		
1419 ALEXANDRIA PIKE	FORT THOMAS, KY 41075	859-781-0831
TIER 8 CONCRETE LID & SECTION VIEW FOR 24" WIDE MULTI-DUTY TRENCH		
Date:	Dwg. No.	
2/16/17	LM24-60	