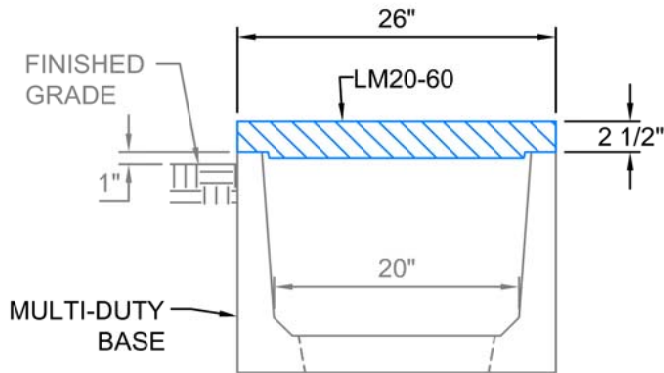
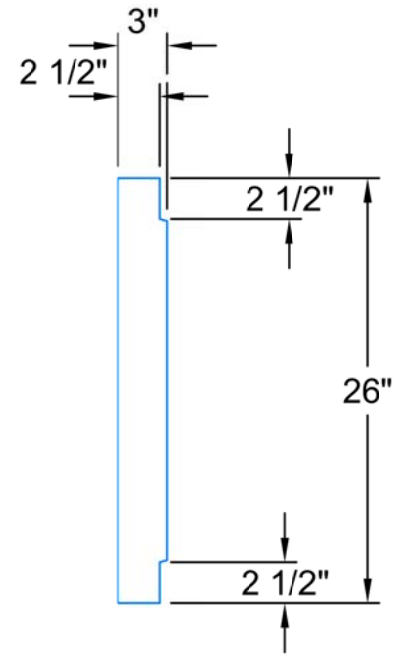


FX-16 FERRULE  
AND MX-28 PLUG

**LM20-60**  
SCALE: 1" = 1'-0"  
WEIGHT: 385 #  
**TIER 8 RATED**



TIER 8 CONCRETE LID ON  
MULTI-DUTY BASE

<b>Trenwa Inc.</b>		
1419 ALEXANDRIA PIKE	FORT THOMAS, KY 41075	859-781-0831
<b>TIER 8 CONCRETE LID &amp; SECTION VIEW FOR 20" WIDE MULTI-DUTY TRENCH</b>		
Date: 2/16/17	Dwg. No. LM20-60	