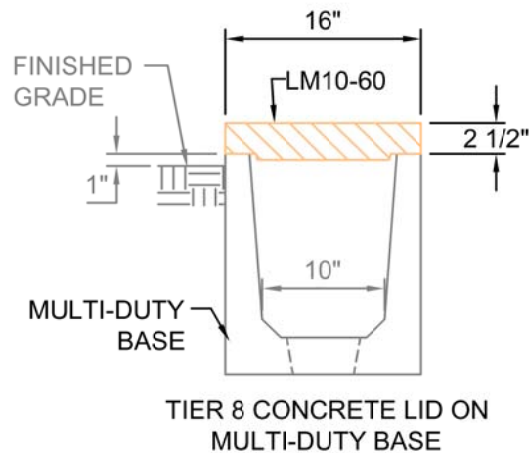


LM10-60
 SCALE: 1" = 1'-0"
 WEIGHT: 231 #
TIER 8 RATED



Trenwa Inc.	
1419 ALEXANDRIA PIKE FORT THOMAS, KY 41075 859-781-0831	
TIER 8 CONCRETE LID & SECTION VIEW FOR 10" WIDE MULTI-DUTY TRENCH	
Date: 2/16/17	Dwg. No. LM10-60