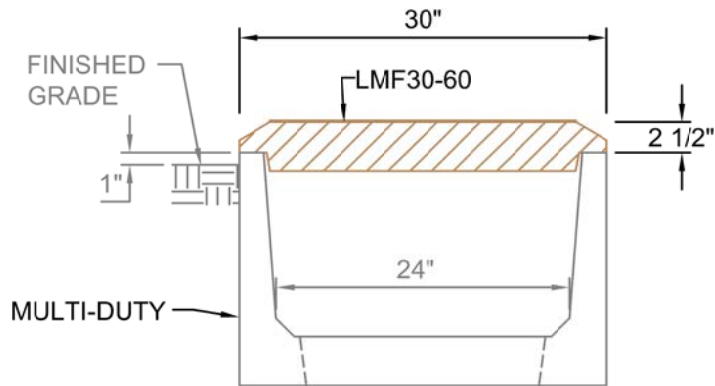


**LMF30-60**

SCALE: 1" = 1'-0"

WEIGHT: 70#

**TIER 15 RATED**



TIER 15 FIBRELITE LID ON  
MULTI-DUTY BASE

<b>Trenwa Inc.</b>		
1419 ALEXANDRIA PIKE	FORT THOMAS, KY 41075	859-781-0831
<b>TIER 15 FIBRELITE LID &amp; SECTION FOR 24" WIDE MULTI-DUTY TRENCH</b>		
Date:	Dwg. No.	
3/27/17	LMF30-60	