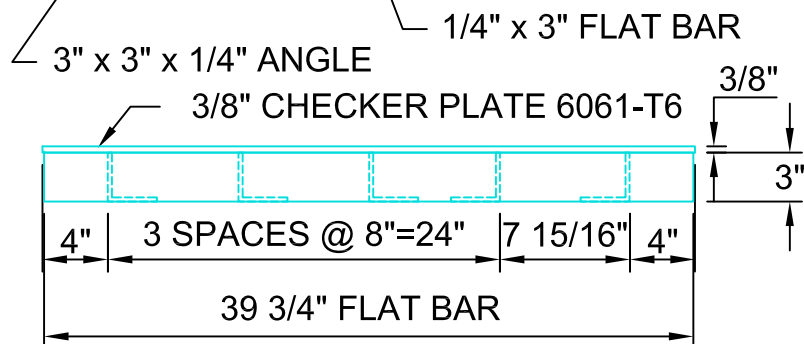
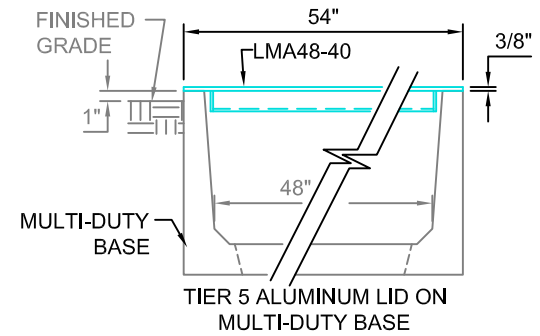
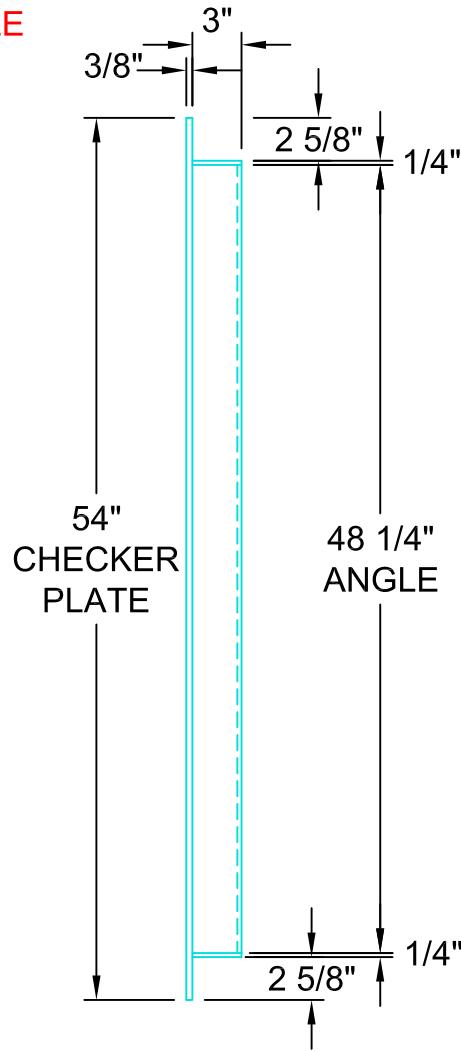


1/2" Ø LIFTING HOLE



### LMA48-40

SCALE: 1"=1'-0"

WEIGHT: 123#

**TIER 5 RATED**

## Trenwa Inc.

1419 ALEXANDRIA PIKE FORT THOMAS, KY 41075 859-781-0831

TIER 5 ALUMINUM LID & SECTION FOR 48" WIDE MULTI-DUTY TRENCH

Date:  
2/28/17

Dwg. No.  
LMA48-40