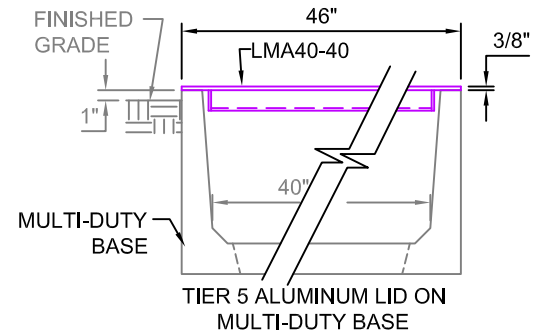
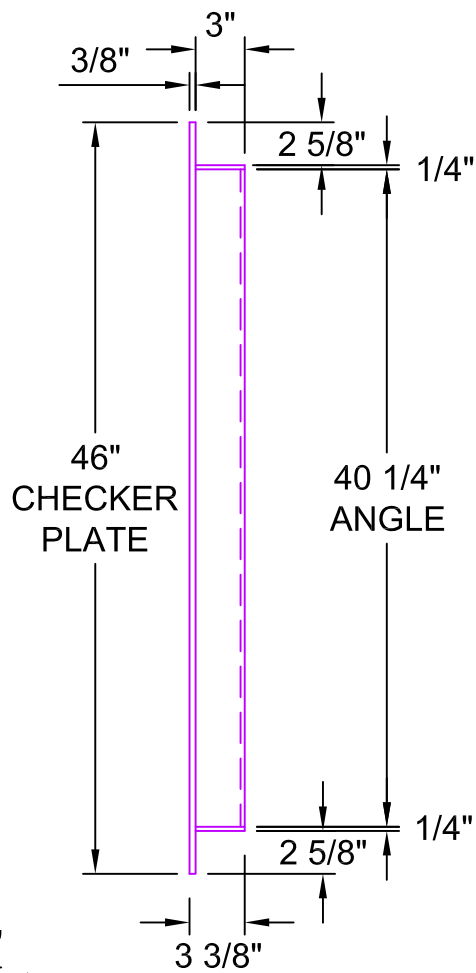


LMA40-40
 SCALE: 1"=1'-0"
 WEIGHT: 106#
TIER 5 RATED



| | | |
|---|-----------------------|--------------|
| Trenwa Inc. | | |
| 1419 ALEXANDRIA PIKE | FORT THOMAS, KY 41075 | 859-781-0831 |
| TIER 5 ALUMINUM LID & SECTION FOR 40" WIDE MULTI-DUTY TRENCH | | |
| Date: | Dwg. No. | |
| 2/28/17 | LMA40-40 | |