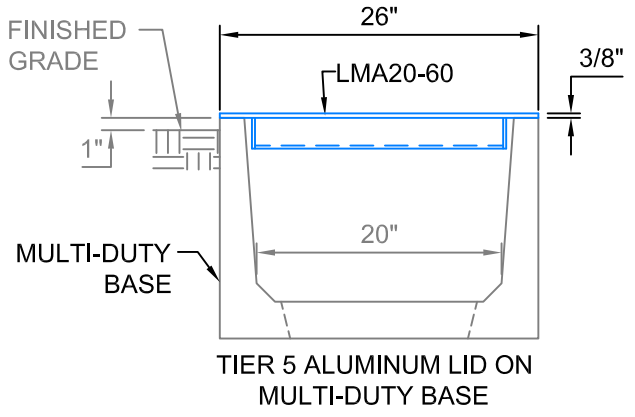


LMA20-60

SCALE: 1"=1'-0"
 WEIGHT: 83#
TIER 5 RATED



Trenwa Inc.		
1419 ALEXANDRIA PIKE FORT THOMAS, KY 41075 859-781-0831		
TIER 5 ALUMINUM LID & SECTION FOR 20" WIDE MULTI-DUTY TRENCH		
Date: 2/28/17	Dwg. No. LMA20-60	