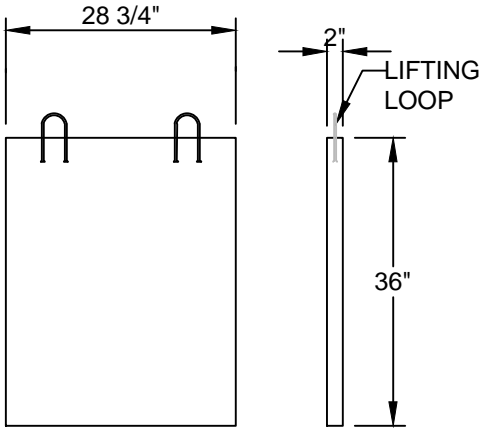
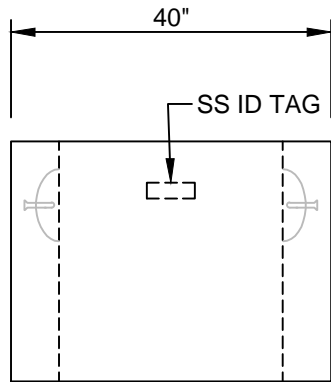
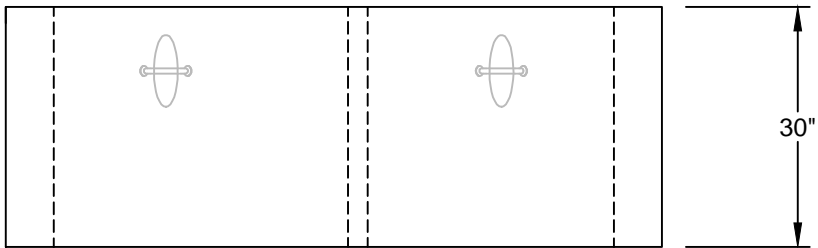
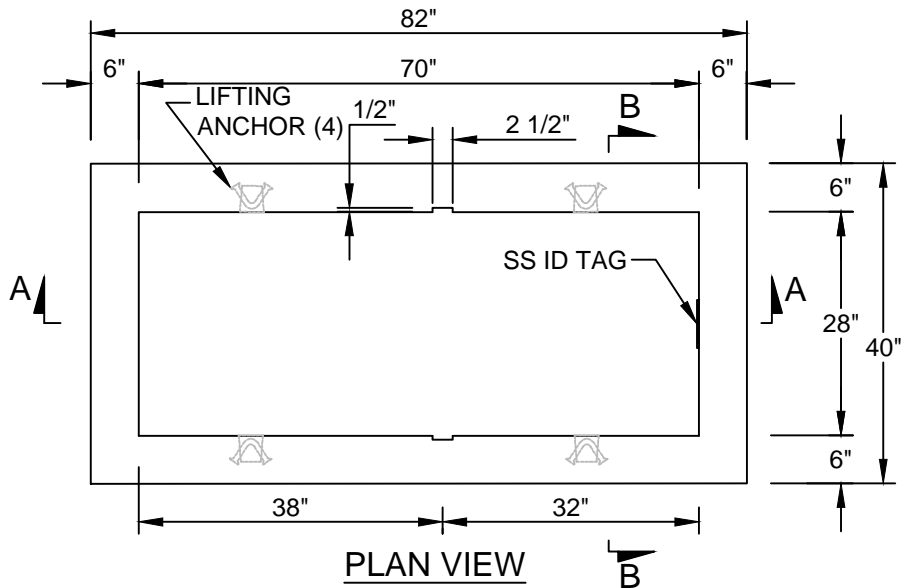


QA Checklist		Initial
Pre-pour	Dimensions & Mesh	
	Block Outs	
	Inserts, Chairs	
	Lifting Devices	
	Form Oil	
	Form Condition	
Post-pour	Cover > 1/2"	
	Lifting Devices	
	Defects	
	Dimensions	
	Date Manufactured	
	Stenciled	



PIT DIVIDER
PITDIV-36x28
 APPROX. 175#

APPROX. 2,205#

Trenwa Inc.		1419 Alexandria Pike Fort Thomas, KY 41075	
(859) 781-0831			
SCALE: 1/2"=1'-0"	DRAWN BY: BD	DATE: 12/12/2018	
DUKE ENERGY			
THREE PHASE PAD-MOUNTED TRANSFORMER PIT-LARGE			PIT-82x40