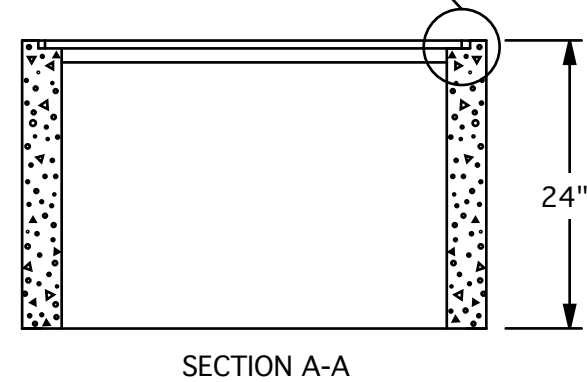
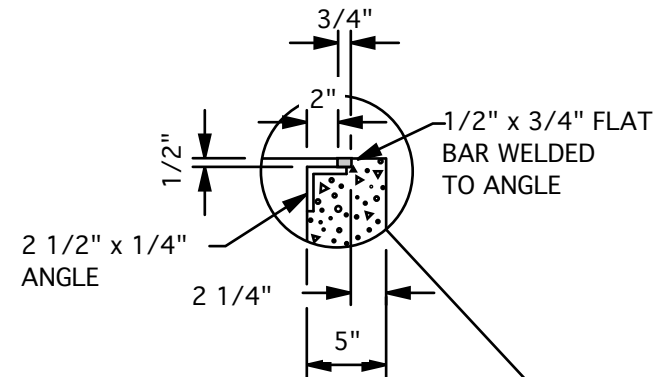


NOTES:

1. INSTALL TWO (2) 6" WIDE FLARE BELLED END ADAPTERS TO ACCEPT 6" SCHEDULE 40 PVC AS SHOWN AT EACH END. INSTALL REMOVABLE PLUGS IN EACH ADAPTER PRIOR TO SHIPMENT.
2. SURFACE AREAS TO BE FREE OF SHARP EDGES AND EXCESS CONCRETE.
3. PULLING EYE TO BE 3/4" COIL ROD WITH EYE NUT AND COIL NUT. INSTALLED JUST ABOVE EACH ADAPTER OPENING.
5. FRAME TO BE INSTALLED WITH 1/2" RECESS TO ALLOW COVER TO SET FLUSH.
6. COVER TOP WITH GALVANIZED STEEL FRAME. (2 1/2" x 2 1/2" x 1/4" ANGLE)
7. TOP TO HAVE 6 HOLES DIMENSIONED TO MATCH COVER.



CONCRETE SPLICE BOX  
HS20 TRAFFIC RATED-32,000#/AXLE  
(30" x 48" INSIDE DIMENSION)  
USE WITH 320188 OR 320189 LIDS  
WEIGHT=1950 lbs.

TRENWA INC.		
1419 ALEXANDRIA PIKE FORT THOMAS, KY. 41075 859-781-0831		
CONCRETE PULL/SPLICE BOX	DATE 5/3/07	DRAWING NO. 320185