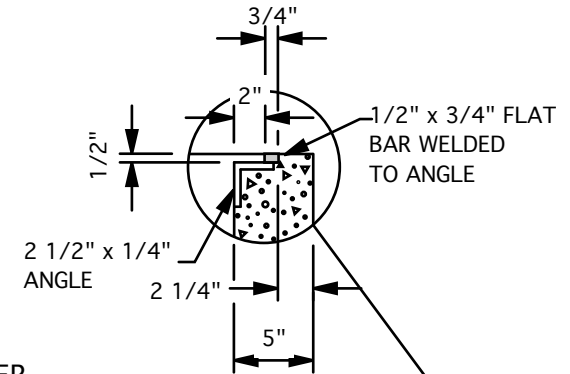


PULLING EYES (TYP) SEE NOTE 3.

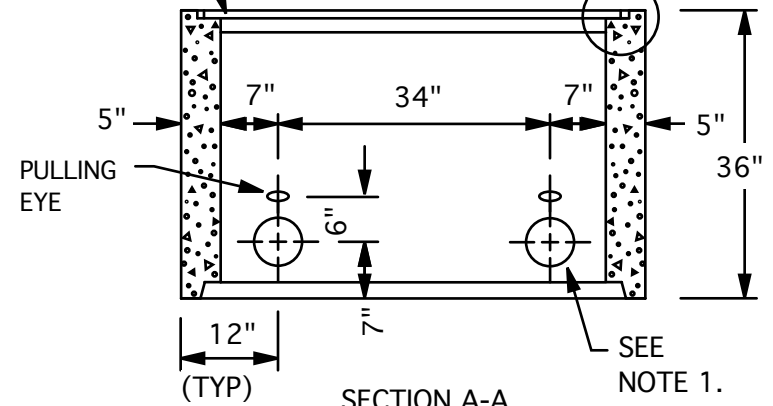
PLAN

NOTES:

1. INSTALL TWO (2) 6" WIDE FLARE BELLED END ADAPTERS TO ACCEPT 6" SCHEDULE 40 PVC AS SHOWN AT EACH END. INSTALL REMOVABLE PLUGS IN EACH ADAPTER PRIOR TO SHIPMENT.
2. SURFACE AREAS TO BE FREE OF SHARP EDGES AND EXCESS CONCRETE.
3. PULLING EYE TO BE 3/4" COIL ROD WITH EYE NUT AND COIL NUT. INSTALLED JUST ABOVE EACH ADAPTER OPENING.
5. FRAME TO BE INSTALLED WITH 1/2" RECESS TO ALLOW COVER TO SET FLUSH.
6. COVER TOP WITH GALVANIZED STEEL FRAME. (2 1/2" x 2 1/2" x 1/4" ANGLE)
7. TOP TO HAVE 6 HOLES DIMENSIONED TO MATCH COVER.

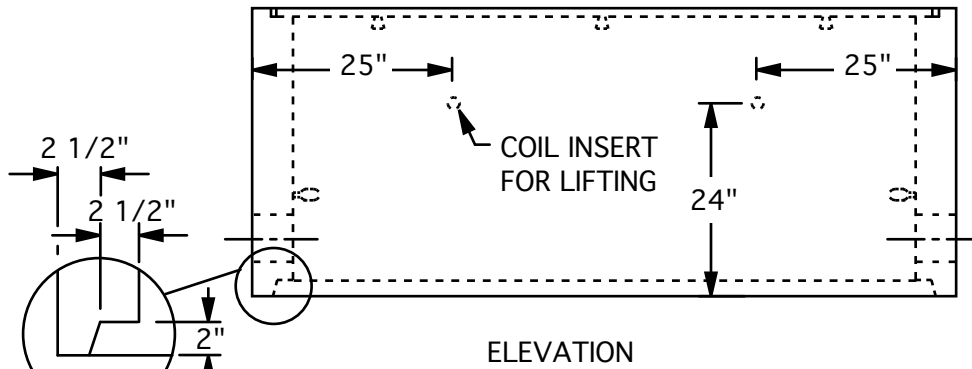


320186 COVER



SECTION A-A

SEE NOTE 1.



ELEVATION

SHIPLAP GROOVE

CONCRETE PULL/SPLICE BOX TOP SECTION  
 (78" x 48" INSIDE DIMENSION)  
 WEIGHT=4100 lbs.  
 HS20 RATED-32,000#/AXLE  
 FITS 320181 BOTTOM  
 USES 320186 OR 320187 COVER

TRENWA INC.		
1419 ALEXANDRIA PIKE	FORT THOMAS, KY. 41075	859-781-0831
CONCRETE PULL/SPLICE BOX	DATE 5/2/07	DRAWING NO. 320182