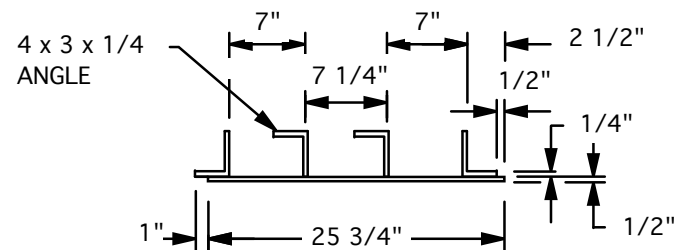
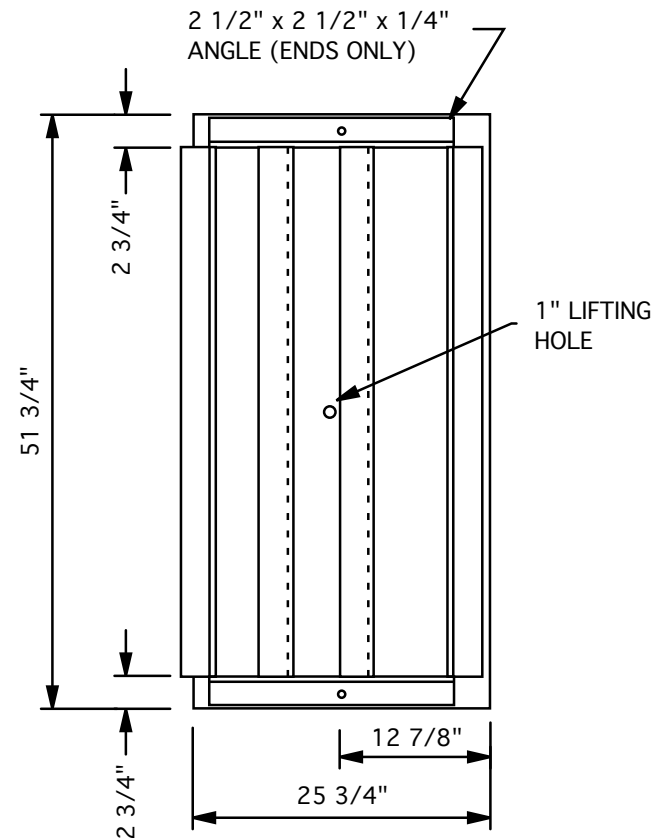
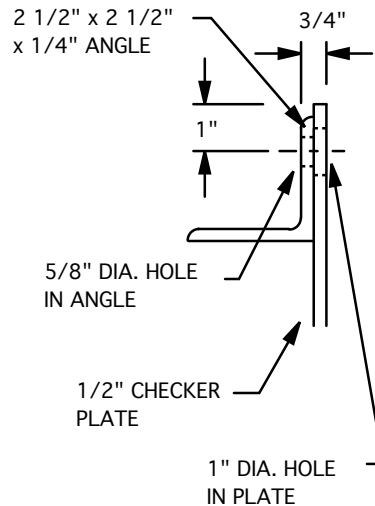


1 REQUIRED



2 REQUIRED

CONCRETE PULL/SPLICE BOX STEEL LID
 HS20 TRAFFIC RATED-32,000#/AXLE
 FITS THE 320180 BOX
 WEIGHT= 1020 lbs. PER SET

BOLT-DOWN
 SET OF THREE-BANDED TOGETHER
 HOT DIP GALVANIZED AFTER FABRICATION

TRENWA INC.		
1419 ALEXANDRIA PIKE	FORT THOMAS, KY. 41075	859-781-0831
CONCRETE PULL/SPLICE BOX LID	DATE 5/3/07	DRAWING NO. 300406