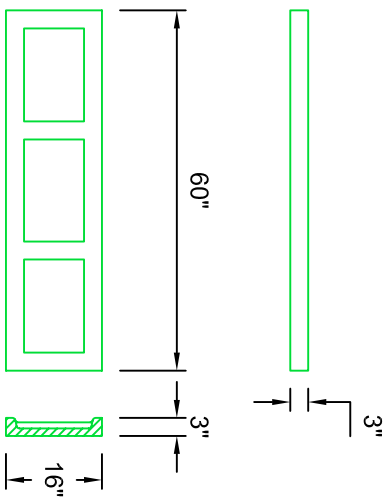
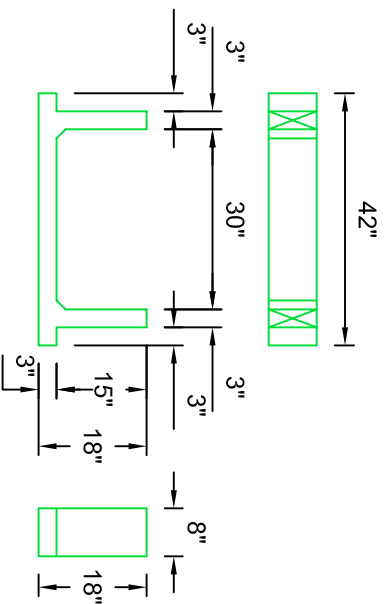


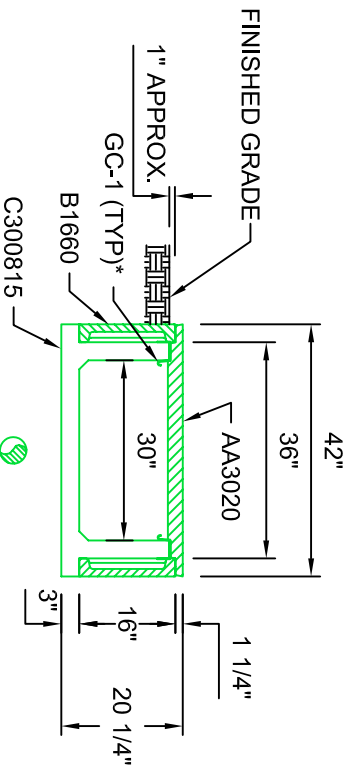
AA3020



B1660



C300815



INSTALL SIDEWALLS
 RIB TYPE: RECESS
 SIDES FACING IN.
 INSTALL TRENCH USING TRENWA INSTALLATION SPECIFICATIONS PROCEDURE

IF TRENCH IS BEING INSTALLED IN POOR
 DRAINAGE SOIL, A PERFORATED DRAIN
 IS RECOMMENDED.

TYPICAL SECTION 30" WIDE 16" DEEP

*GC1 (GROUND CLIPS) OPTIONAL

Trenwa Inc.

1419 ALEXANDRIA PIKE FORT THOMAS, KY 41075 859-781-0831

TYPICAL COMPONENT PEDESTRIAN BRACKET,
 LID & SECTION FOR 30" WIDE 16" DEEP

Date: 10/31/05 Dwg. No. COMPONENT 3016 Scale: 3/8" = 1'-0"