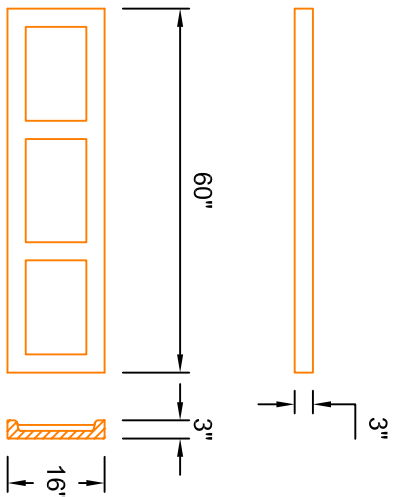
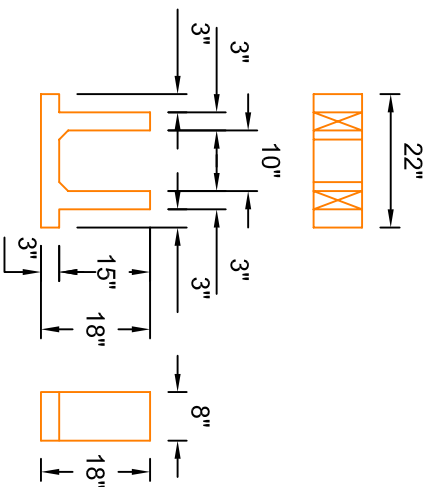


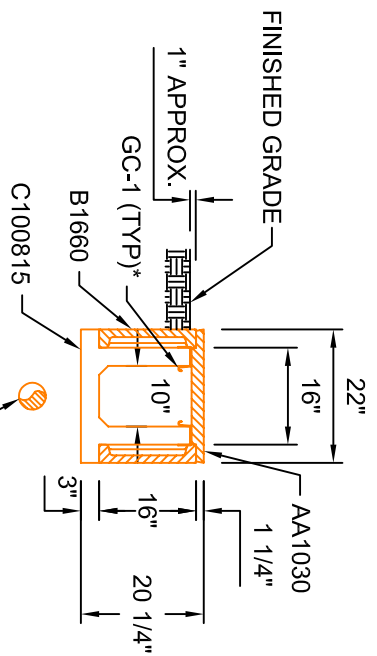
AA1030



B1660



C100815



INSTALL SIDEWALLS
RIB TYPE: RECESS
SIDES FACING IN.

IF TRENCH IS BEING INSTALLED IN POOR
DRAINAGE SOIL, A PERFORATED DRAIN
IS RECOMMENDED.

INSTALL TRENCH USING TRENWA INSTALLATION SPECIFICATIONS PROCEDURE

TYPICAL SECTION 10" WIDE 16" DEEP

*GC1 (GROUND CLIPS) OPTIONAL

Trenwa Inc.	
1419 ALEXANDRIA PIKE FORT THOMAS, KY 41075	859-781-0831
TYPICAL COMPONENT PEDESTRIAN BRACKET, LID & SECTION FOR 10" WIDE 16" DEEP	
Date: 10/31/05	Dwg. No. COMPONENT 1016
Scale: 3/8" = 1'-0"	