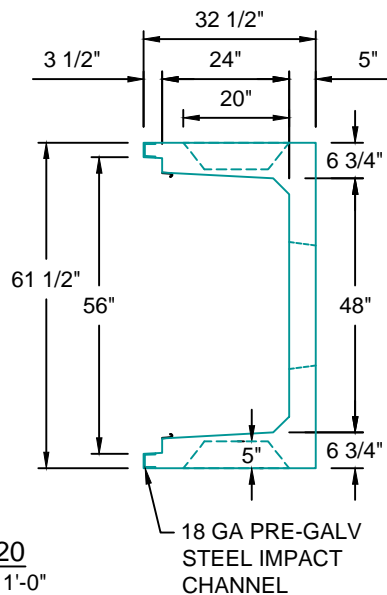
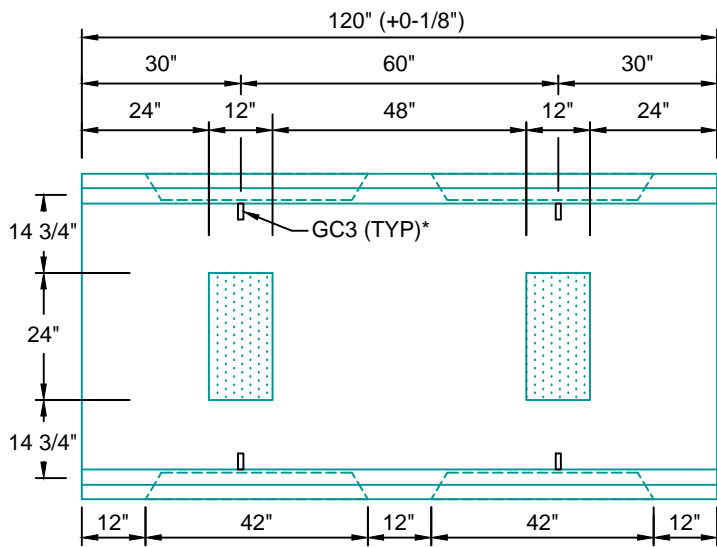


TYPICAL LIGHT TRAFFIC SECTION WITH CONCRETE LID 48"W x 24"D
SCALE: 1" = 1'-0"



BL4824-120
SCALE: 1/2" = 1'-0"
WEIGHT: 6120 #

*GC3 (GROUND CLIPS) OPTIONAL

H10 DESIGN
(16,000 LBS / AXLE)

Trenwa Inc.		
1419 ALEXANDRIA PIKE FORT THOMAS, KY 41075 859-781-0831		
TYPICAL LIGHT TRAFFIC BASE, CONCRETE LID & SECTION FOR 48" WIDE x 24" DEEP TRENCH		
Date:	Dwg. No.	
10/20/17	BL4824-120	