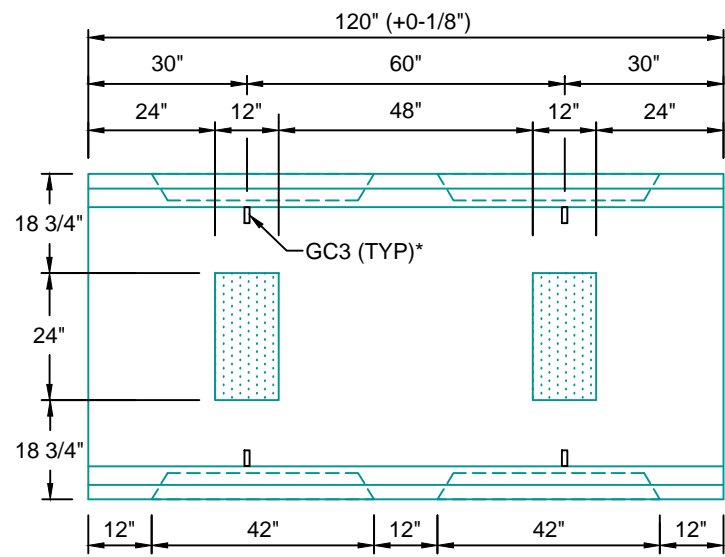
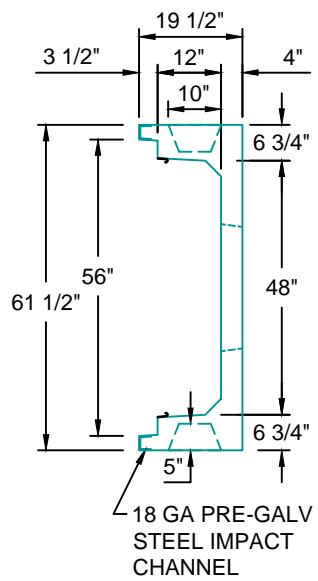


**TYPICAL LIGHT TRAFFIC SECTION
WITH CONCRETE LID 48"W x 12"D**
SCALE: 1" = 1'-0"



BL4812-120
SCALE: 1/2" = 1'-0"
WEIGHT: 3958#



**H10 DESIGN
(16,000 LBS / AXLE)**

Trenwa Inc.		
1419 ALEXANDRIA PIKE FORT THOMAS, KY 41075 859-781-0831		
TYPICAL LIGHT TRAFFIC BASE, CONCRETE LID & SECTION FOR 48" WIDE x 12" DEEP TRENCH		
Date:	Dwg. No.	
10/16/17	BL4812-120	