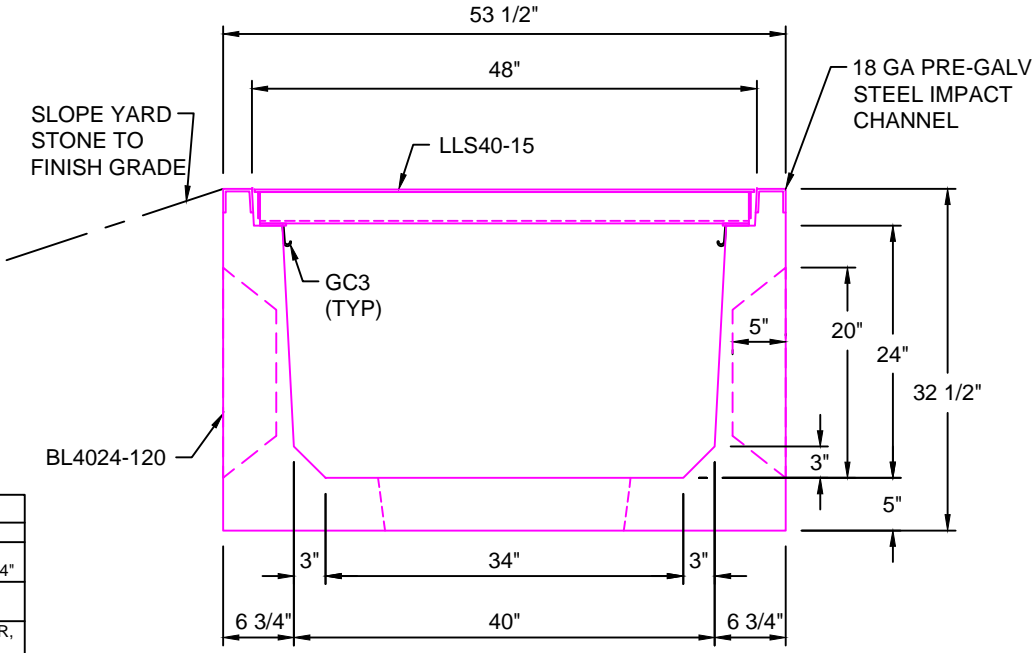
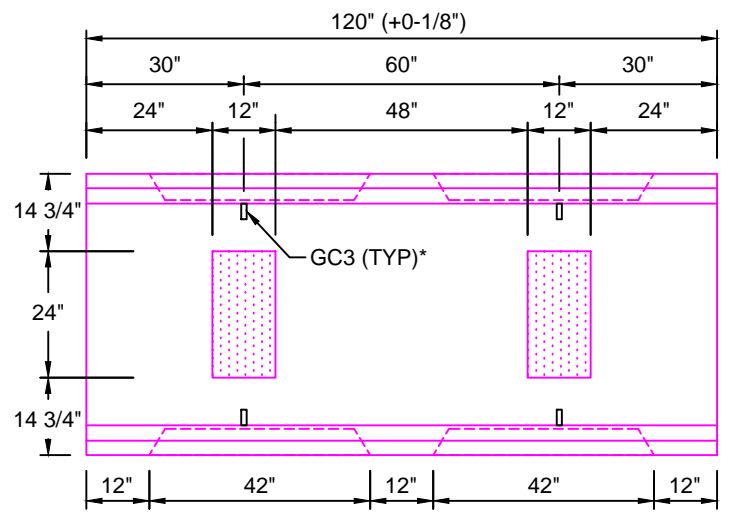


**LLS40-15**  
SCALE: 3/4"=1'-0"

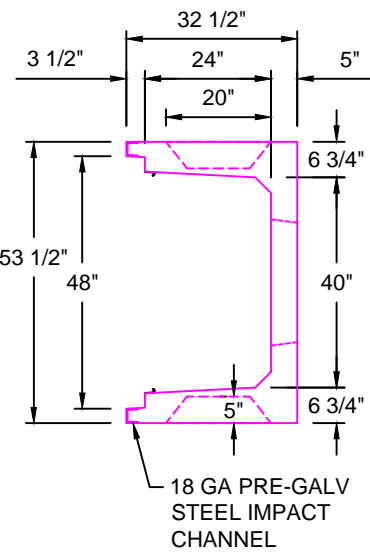
BILL OF MATERIAL	
QTY	DESCRIPTION
1	CHECKER PLATE, 47 1/2" x 14 15/16" x 1/4"
3	3" x 2" x 1/4" ANGLE 46 1/2" LENGTH
2	3/16" x 2 1/2" FLAT BAR, 14 7/16" LENGTH
2	3/16" x 2" FLAT BAR, 14 7/16" LENGTH



**TYPICAL LIGHT TRAFFIC SECTION WITH STEEL LID 40"W x 24"D**  
SCALE: 1"=1'-0"



**BL4024-120**  
SCALE: 1/2" = 1'-0"  
WEIGHT: 5714 #



\*GC3 (GROUND CLIPS) OPTIONAL

**Trenwa Inc.**

1419 ALEXANDRIA PIKE FORT THOMAS, KY 41075 859-781-0831

**TYPICAL LIGHT TRAFFIC BASE, STEEL LID & SECTION FOR 40" WIDE x 24" DEEP TRENCH**

Date: 9/25/2017	Dwg. No. BL4024-120
--------------------	------------------------