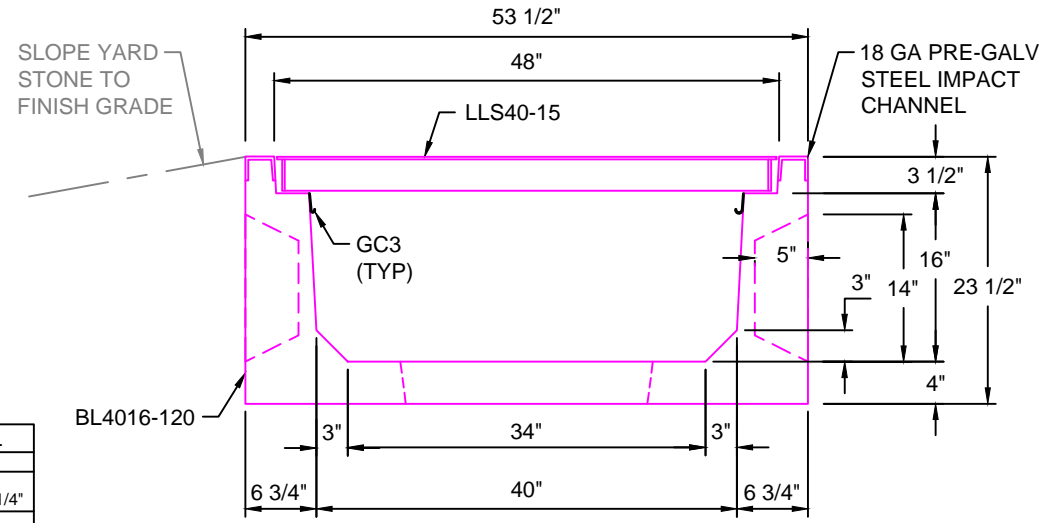
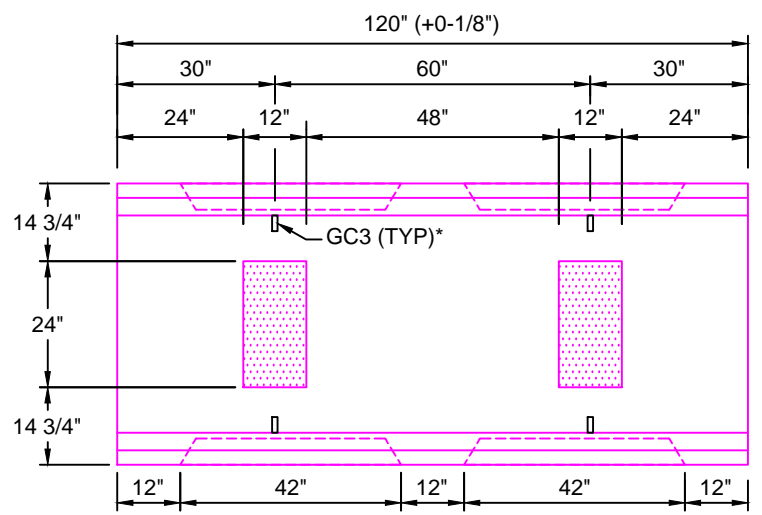


LLS40-15
SCALE: 3/4"=1'-0"

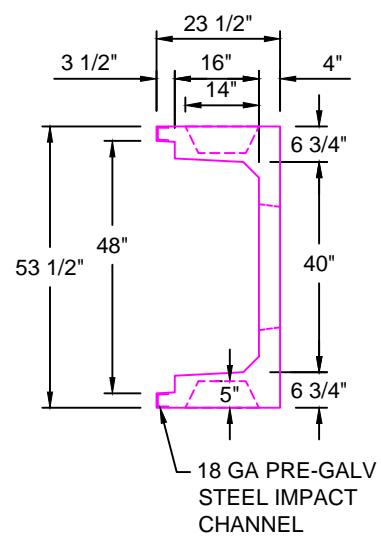
BILL OF MATERIAL	
QTY	DESCRIPTION
1	CHECKER PLATE, 47 1/2" x 14 15/16" x 1/4"
3	3" x 2" x 1/4" ANGLE 46 1/2" LENGTH
2	3/16" x 2 1/2" FLAT BAR, 14 7/16" LENGTH
2	3/16" x 2" FLAT BAR, 14 7/16" LENGTH



TYPICAL LIGHT TRAFFIC SECTION WITH STEEL LID 40"W x 16"D
SCALE: 1" = 1'-0"



BL4016-120
SCALE: 1/2" = 1'-0"
WEIGHT: 4162 #



H10 DESIGN
(16,000 LBS / AXLE)

*GC3 (GROUND CLIPS) OPTIONAL

Trenwa Inc.		
1419 ALEXANDRIA PIKE FORT THOMAS, KY 41075 859-781-0831		
TYPICAL LIGHT TRAFFIC BASE, STEEL LID & SECTION FOR 40" WIDE x 16" DEEP TRENCH		
Date:	Dwg. No.	
9/22/2017	BL4016-120	