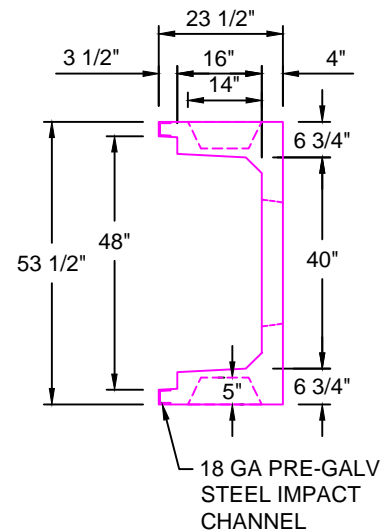
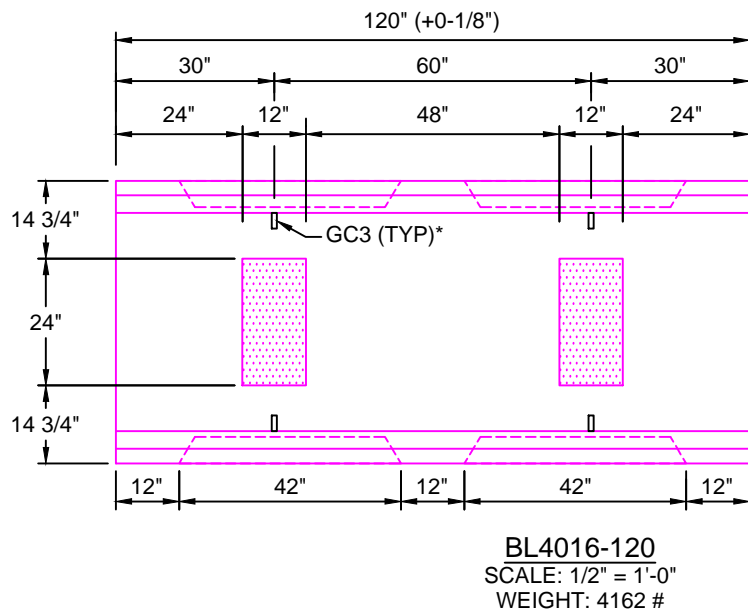


**TYPICAL LIGHT TRAFFIC SECTION WITH CONCRETE LID 40"W x 16"D**  
SCALE: 1" = 1'-0"



**H10 DESIGN**  
**(16,000 LBS / AXLE)**

<b>Trenwa Inc.</b>		
1419 ALEXANDRIA PIKE FORT THOMAS, KY 41075 859-781-0831		
<b>TYPICAL LIGHT TRAFFIC BASE, CONCRETE LID &amp; SECTION FOR 40" WIDE x 16" DEEP TRENCH</b>		
Date:	Dwg. No.	
10/19/2017	BL4016-120	

\*GC3 (GROUND CLIPS) OPTIONAL