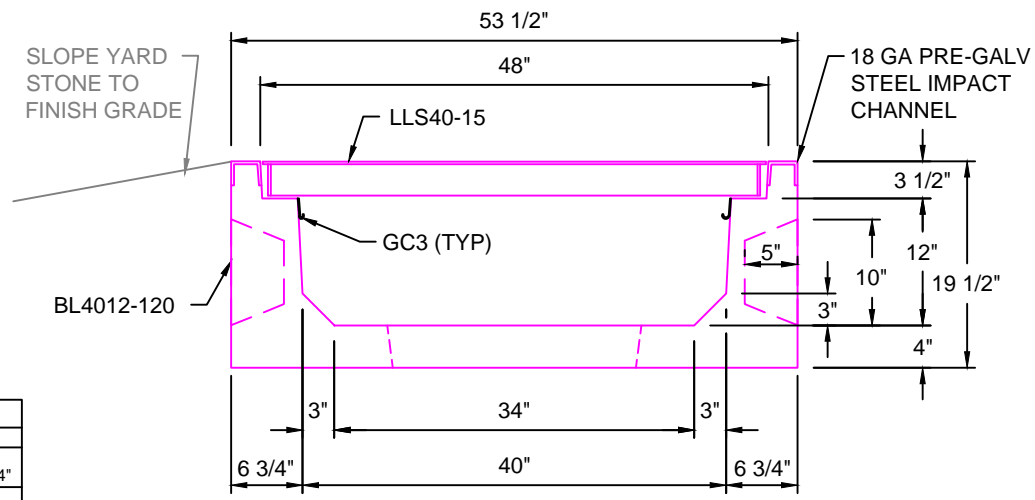
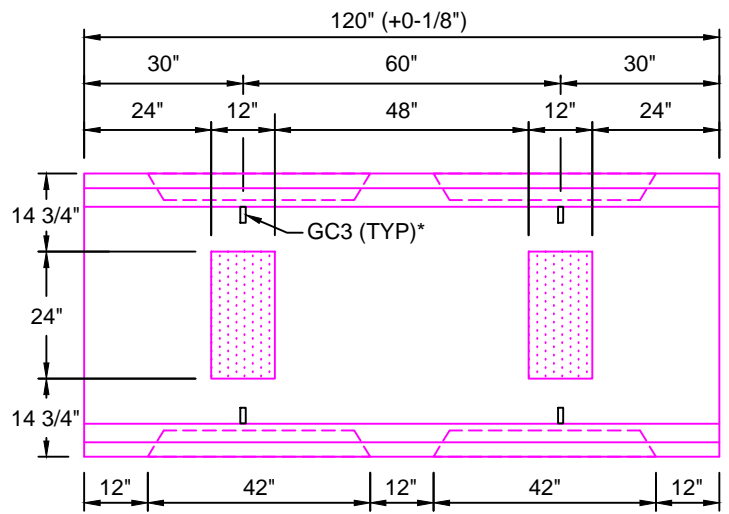


LLS40-15
SCALE: 3/4" = 1'-0"

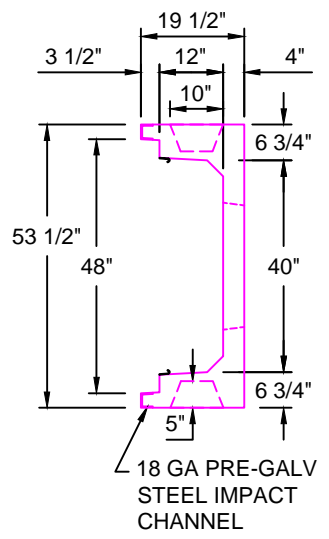
BILL OF MATERIAL	
QTY	DESCRIPTION
1	CHECKER PLATE, 47 1/2" x 14 15/16" x 1/4"
3	3" x 2" x 1/4" ANGLE, 46 1/2" LENGTH
2	3/16" x 2 1/2" FLAT BAR, 14 7/16" LENGTH
2	3/16" x 2" FLAT BAR, 14 7/16" LENGTH



TYPICAL LIGHT TRAFFIC SECTION
WITH STEEL LID 40"W x 12"D
SCALE: 1" = 1'-0"



BL4012-120
SCALE: 1/2" = 1'-0"
WEIGHT: 3633#



H10 DESIGN
(16,000 LBS / AXLE)

Trenwa Inc.		
1419 ALEXANDRIA PIKE FORT THOMAS, KY 41075 859-781-0831		
TYPICAL LIGHT TRAFFIC BASE, STEEL LID & SECTION FOR 40" WIDE x 12" DEEP TRENCH		
Date: 7/10/17	Dwg. No. BL4012-120	