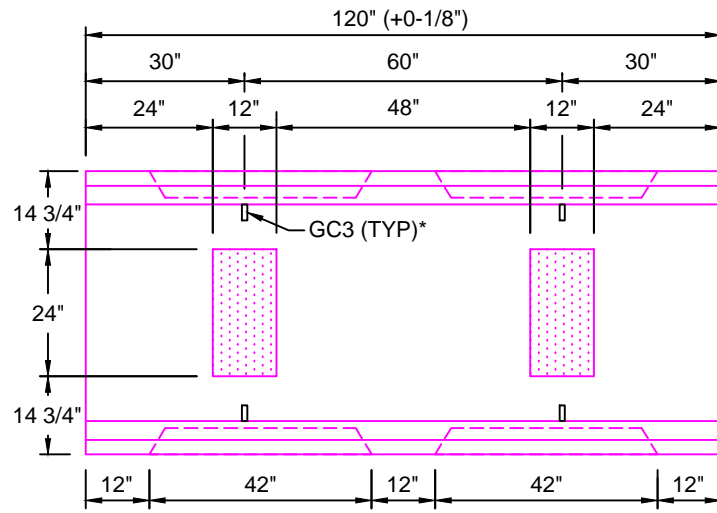
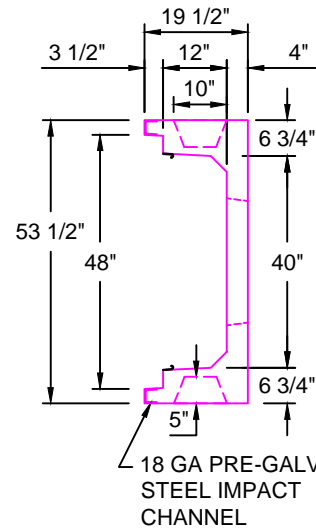


TYPICAL LIGHT TRAFFIC SECTION WITH CONCRETE LID 40"W x 12"D
SCALE: 1" = 1'-0"



BL4012-120
SCALE: 1/2" = 1'-0"
WEIGHT: 3633#



Trenwa Inc.

1419 ALEXANDRIA PIKE FORT THOMAS, KY 41075 859-781-0831

TYPICAL LIGHT TRAFFIC BASE, CONCRETE LID & SECTION FOR 40" WIDE x 12" DEEP TRENCH

Date:
10/16/17

Dwg. No.
BL4012-120