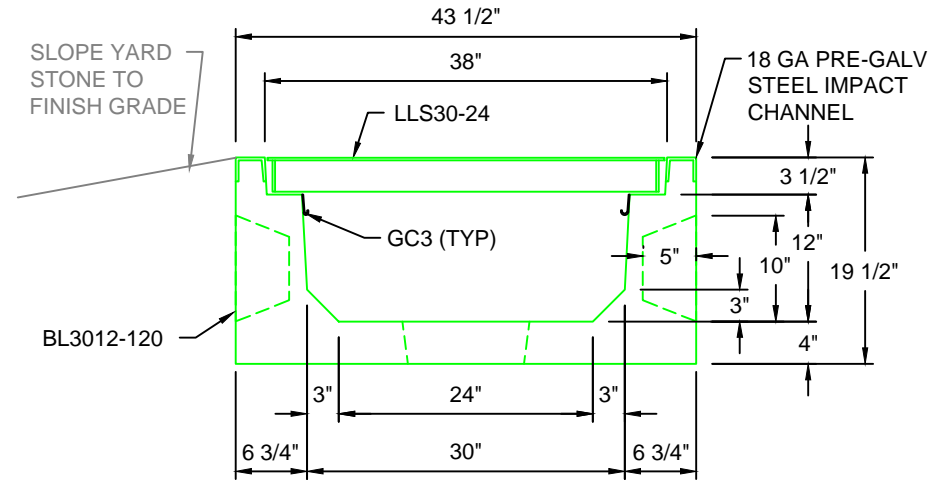
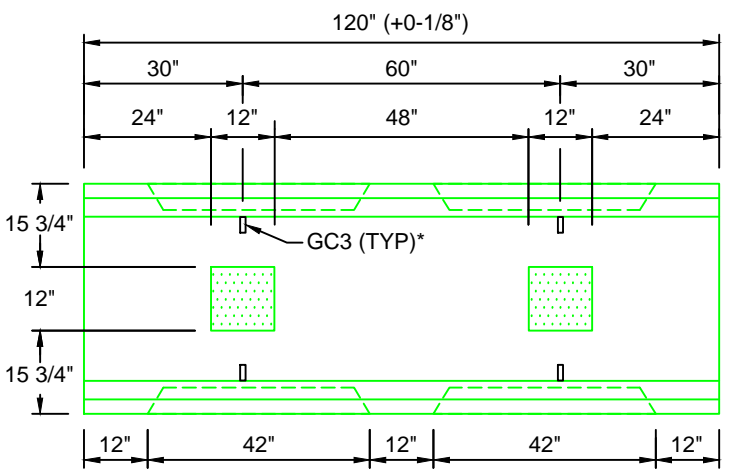


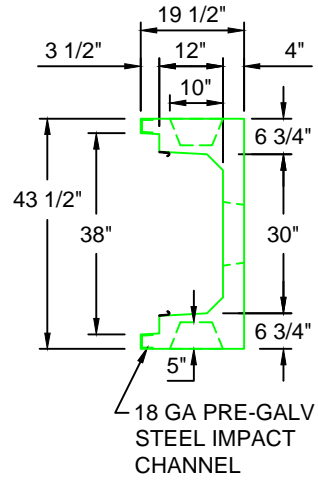
BILL OF MATERIAL	
QTY	DESCRIPTION
1	CHECKER PLATE, 37 1/2" x 23 15/16" x 1/4"
4	3" x 2" x 1/4" ANGLE, 36 1/2" LENGTH
2	3/16" x 2 1/2" FLAT BAR, 23 7/16" LENGTH
2	3/16" x 2" FLAT BAR, 23 7/16" LENGTH



TYPICAL LIGHT TRAFFIC SECTION WITH STEEL LID 30"W x 12"D  
SCALE: 1" = 1'-0"



BL3012-120  
SCALE: 1/2" = 1'-0"  
WEIGHT: 3324#



**H10 DESIGN**  
**(16,000 LBS / AXLE)**

<b>Trenwa Inc.</b>		
1419 ALEXANDRIA PIKE FORT THOMAS, KY 41075 859-781-0831		
TYPICAL LIGHT TRAFFIC BASE, STEEL LID & SECTION FOR 30" WIDE x 12" DEEP TRENCH		
Date:	Dwg. No.	
7/10/17	BL3012-120	