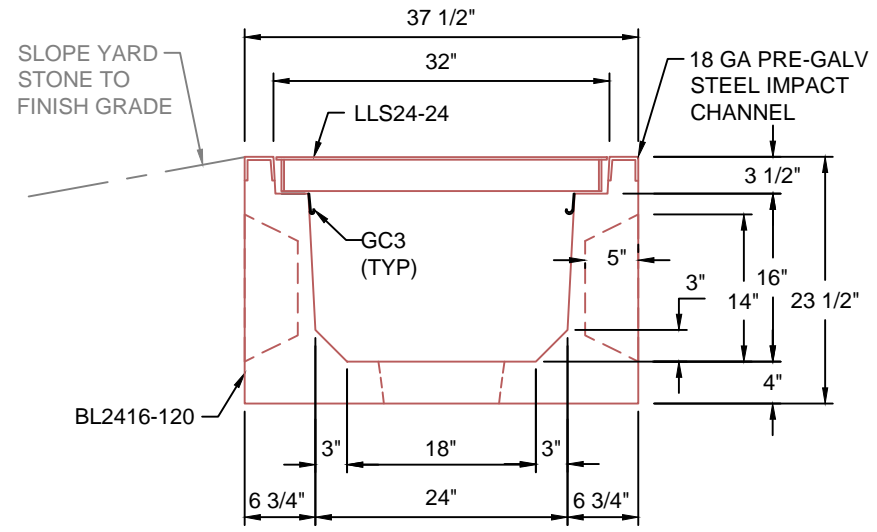
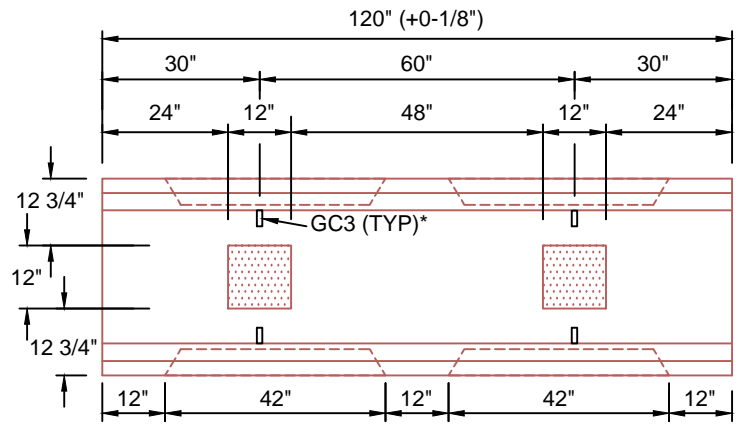


BILL OF MATERIAL	
QTY	DESCRIPTION
1	CHECKER PLATE, 31 1/2 x 23 15/16" x 1/4"
4	3" x 2" x 3/16" ANGLE, 30 1/2" LENGTH
2	3/16" x 2 1/2" FLAT BAR, 23 7/16" LENGTH
2	3/16" x 2" FLAT BAR, 23 7/16" LENGTH

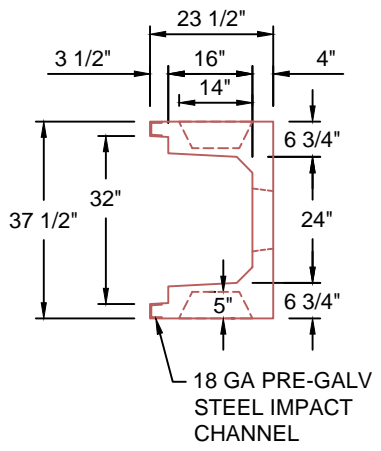
LLS24-24  
SCALE: 3/4"=1'-0"



TYPICAL LIGHT TRAFFIC SECTION  
WITH STEEL LID 24"W x 16"D  
SCALE: 1" = 1'-0"



BL2416-120  
SCALE: 1/2" = 1'-0"  
WEIGHT: 3609 #



**H10 DESIGN**  
**(16,000 LBS / AXLE)**

\*GC3 (GROUND CLIPS) OPTIONAL

<b>Trenwa Inc.</b>		
1419 ALEXANDRIA PIKE FORT THOMAS, KY 41075 859-781-0831		
<b>TYPICAL LIGHT TRAFFIC BASE, STEEL LID &amp; SECTION FOR 24" WIDE x 16" DEEP TRENCH</b>		
Date:	Dwg. No.	
9/22/2017	BL2416-120	