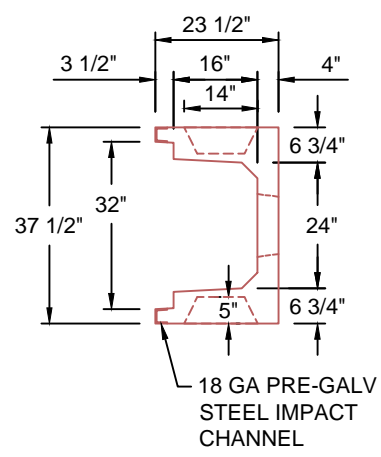
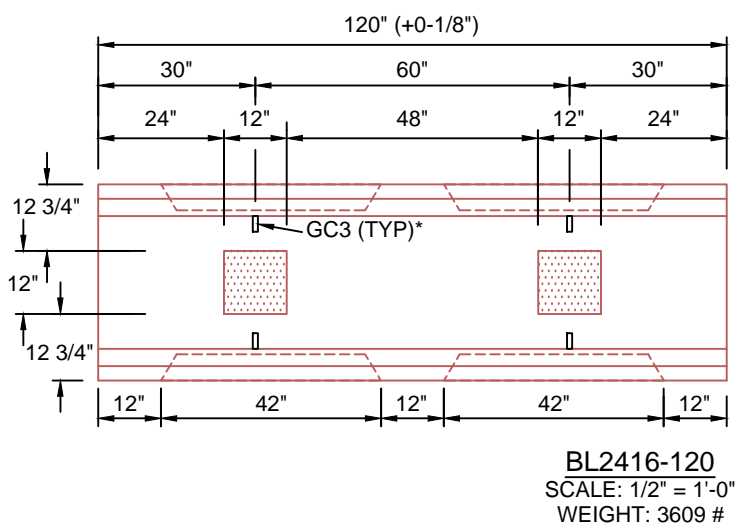


TYPICAL LIGHT TRAFFIC SECTION WITH CONCRETE LID 24"W x 16"D
SCALE: 1" = 1'-0"



H10 DESIGN
(16,000 LBS / AXLE)

Trenwa Inc.	
1419 ALEXANDRIA PIKE FORT THOMAS, KY 41075 859-781-0831	
TYPICAL LIGHT TRAFFIC BASE, CONCRETE LID & SECTION FOR 24" WIDE x 16" DEEP TRENCH	
Date: 10/19/17	Dwg. No. BL2416-120

*GC3 (GROUND CLIPS) OPTIONAL