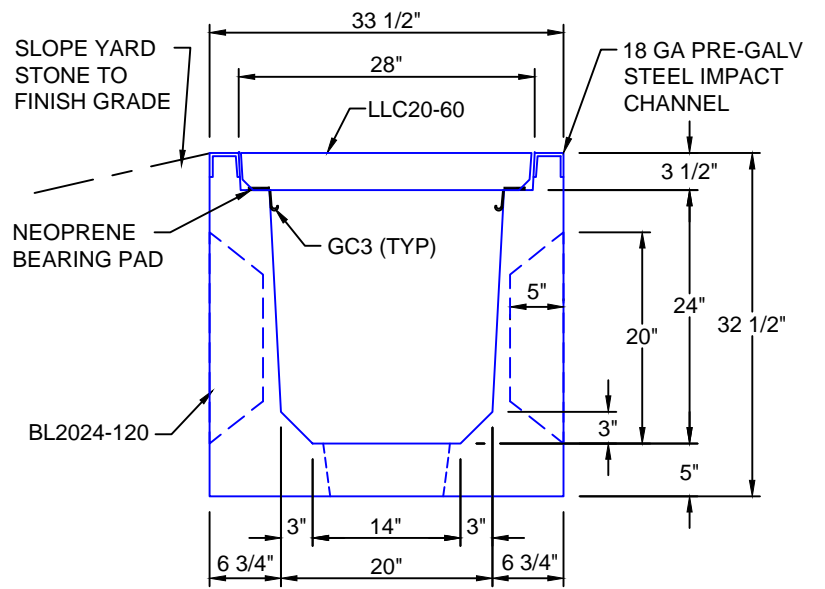
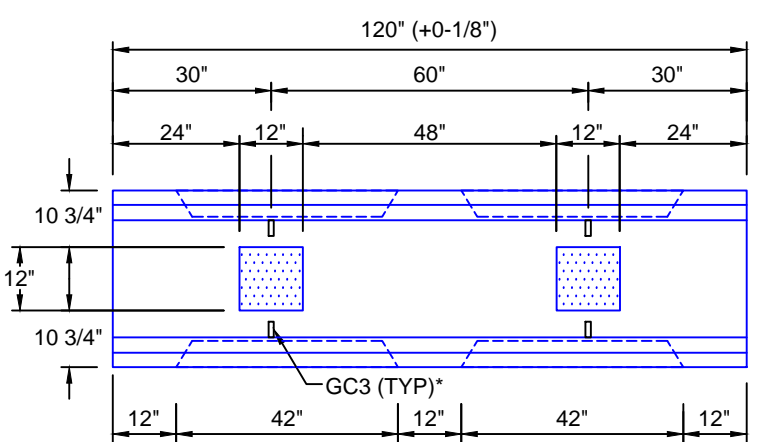


FX-16 (1/2") NC LIFTING INSERT AND MX-28 CAP
BROOM FINISH AND EDGE

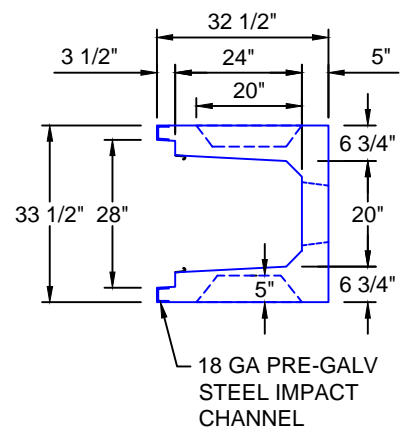
LLC20-60
SCALE: 1/2" = 1'-0"
WEIGHT: 480 #



TYPICAL LIGHT TRAFFIC SECTION WITH CONCRETE LID 20"W x 24"D
SCALE: 1" = 1'-0"



BL2024-120
SCALE: 1/2" = 1'-0"
WEIGHT: 4819 #



18 GA PRE-GALV STEEL IMPACT CHANNEL

H10 DESIGN
(16,000 LBS / AXLE)

*GC3 (GROUND CLIPS) OPTIONAL

| | | |
|--|------------------------|--|
| Trenwa Inc. | | |
| 1419 ALEXANDRIA PIKE FORT THOMAS, KY 41075 859-781-0831 | | |
| TYPICAL LIGHT TRAFFIC BASE, CONCRETE LID & SECTION FOR 20" WIDE x 24" DEEP TRENCH | | |
| Date: 10/19/2017 | Dwg. No. BL2024-120 | |