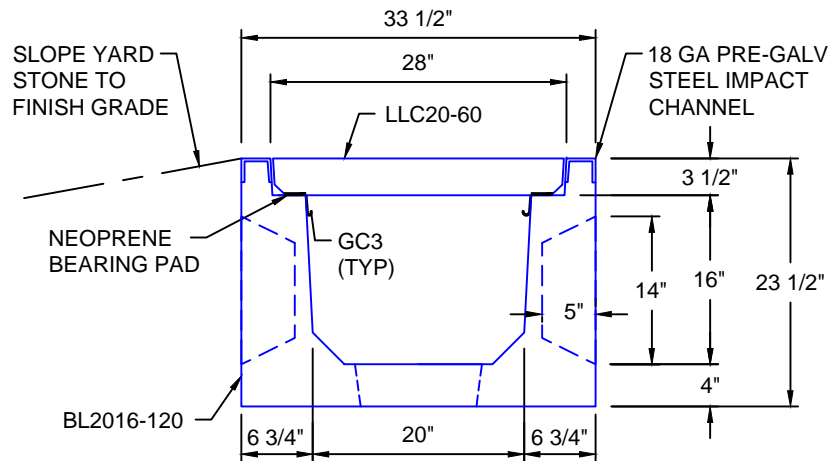


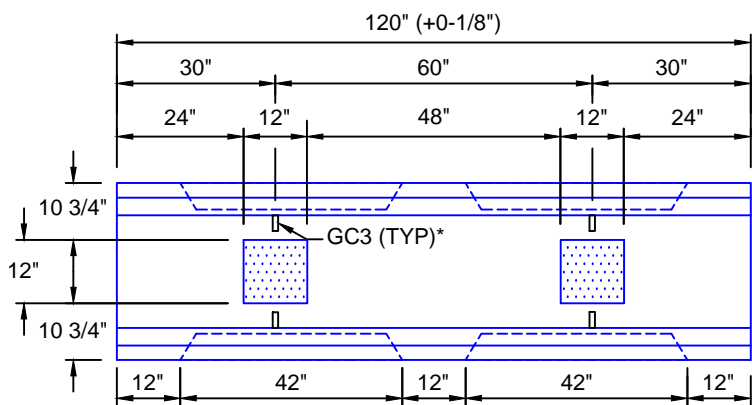
FX-16 (1/2") NC LIFTING INSERT
AND MX-28 CAP
BROOM FINISH
AND EDGE

LLC20-60
SCALE: 1/2"=1'-0"
WEIGHT: 480 #

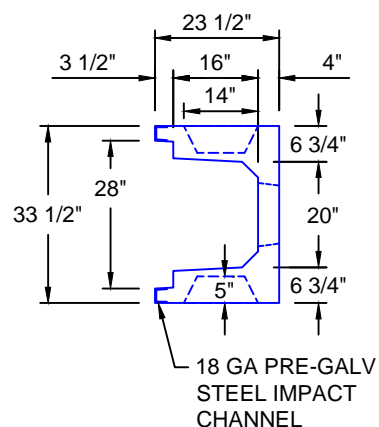


**TYPICAL LIGHT TRAFFIC SECTION
WITH CONCRETE LID 20"W x 16"D**

SCALE: 1"=1'-0"



BL2016-120
SCALE: 1/2" = 1'-0"
WEIGHT: 3446 #



*GC3 (GROUND CLIPS) OPTIONAL

H10 DESIGN
(16,000 LBS / AXLE)

Trenwa Inc.		
1419 ALEXANDRIA PIKE FORT THOMAS, KY 41075 859-781-0831		
TYPICAL LIGHT TRAFFIC BASE, CONCRETE LID & SECTION FOR 20" WIDE x 16" DEEP TRENCH		
Date: 10/16/17	Dwg. No. BL2016-120	