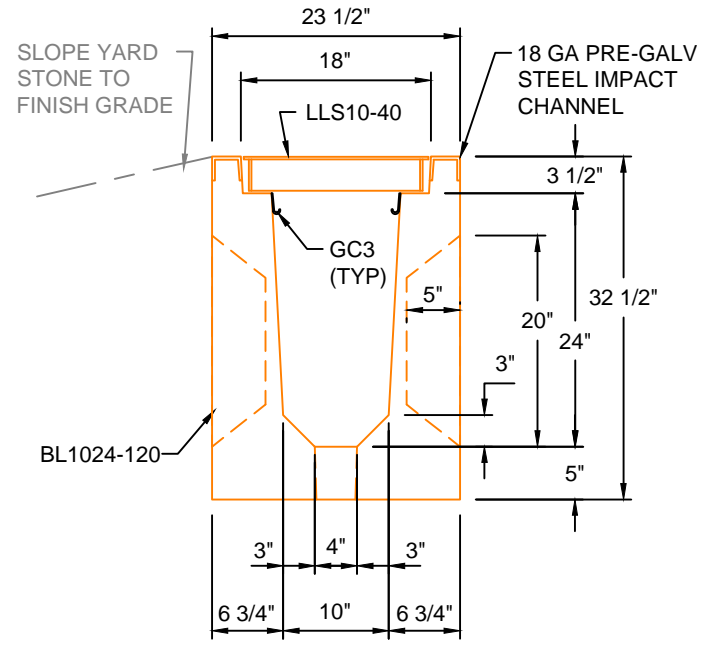
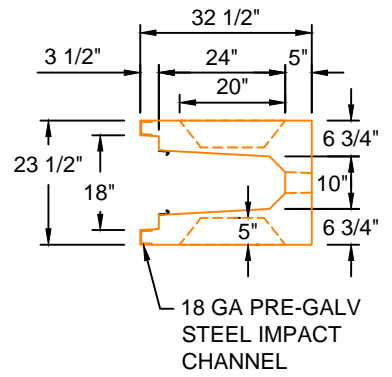
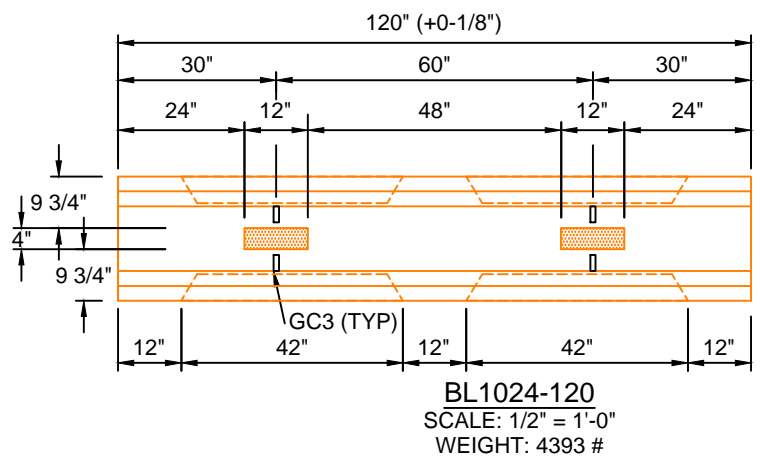


BILL OF MATERIAL	
QTY	DESCRIPTION
1	CHECKER PLATE, 39 15/16" x 17 1/2" x 1/4"
6	3" x 2" x 3/16" ANGLE, 16 1/2" LENGTH
2	3/16" x 2 1/2" x 39 7/16" FLAT BAR
2	3/16" x 2" x 39 7/16" FLAT BAR



TYPICAL LIGHT TRAFFIC SECTION WITH STEEL LID 10"W x 24"D
 SCALE: 1" = 1'-0"



H10 DESIGN
(16,000 LBS / AXLE)

Trenwa Inc.		
1419 ALEXANDRIA PIKE FORT THOMAS, KY 41075 859-781-0831		
TYPICAL LIGHT TRAFFIC BASE, STEEL LID & SECTION FOR 10" WIDE x 24" DEEP TRENCH		
Date: 9/22/2017	Dwg. No. BL1024-120	

*GC3 (GROUND CLIPS) OPTIONAL